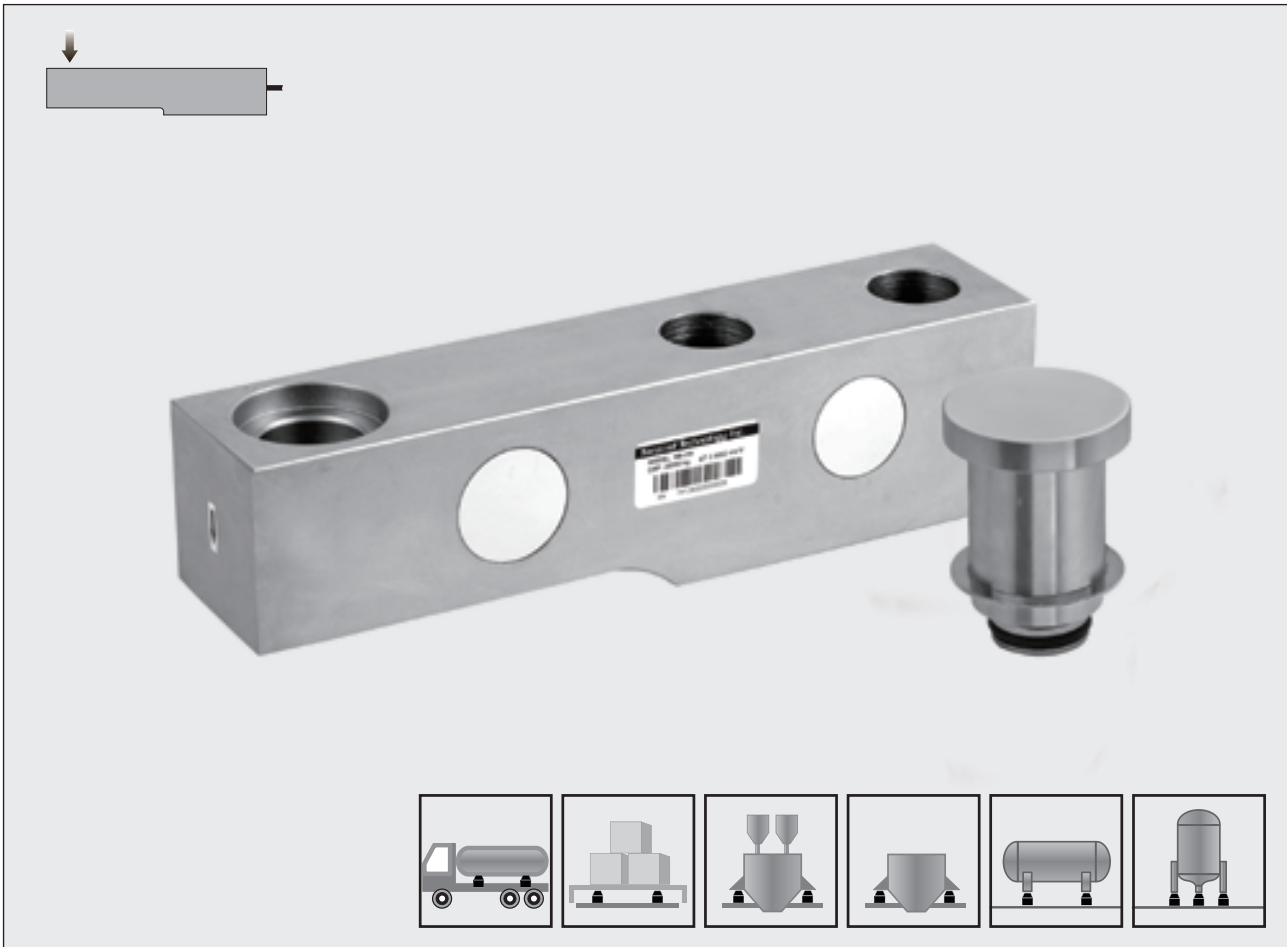


## Type SB Load Cell

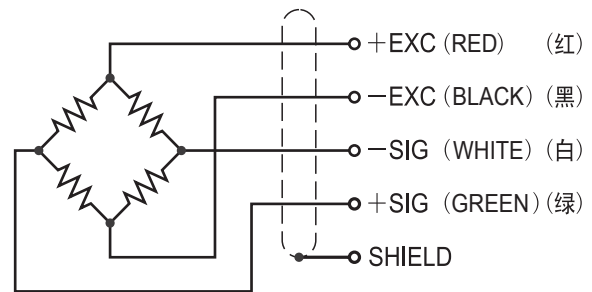


### Features 主要特点

- Single ended shear beam load cell
- Senior alloy steel
- High accuracy
- High stability
- Unique "blind" loading hole
- Easy to install
- Protected against corrosion by nickel-plated treatment
- Suitable for floor scales, blending & mixing systems and batching systems, etc.
- 悬臂梁式
- 优质合金钢材质
- 高精度
- 高稳定性
- 独特的承载盲孔设计
- 安装简便、快速
- 表层镀镍防腐处理
- 适用于平台秤、搅拌站和配料秤等

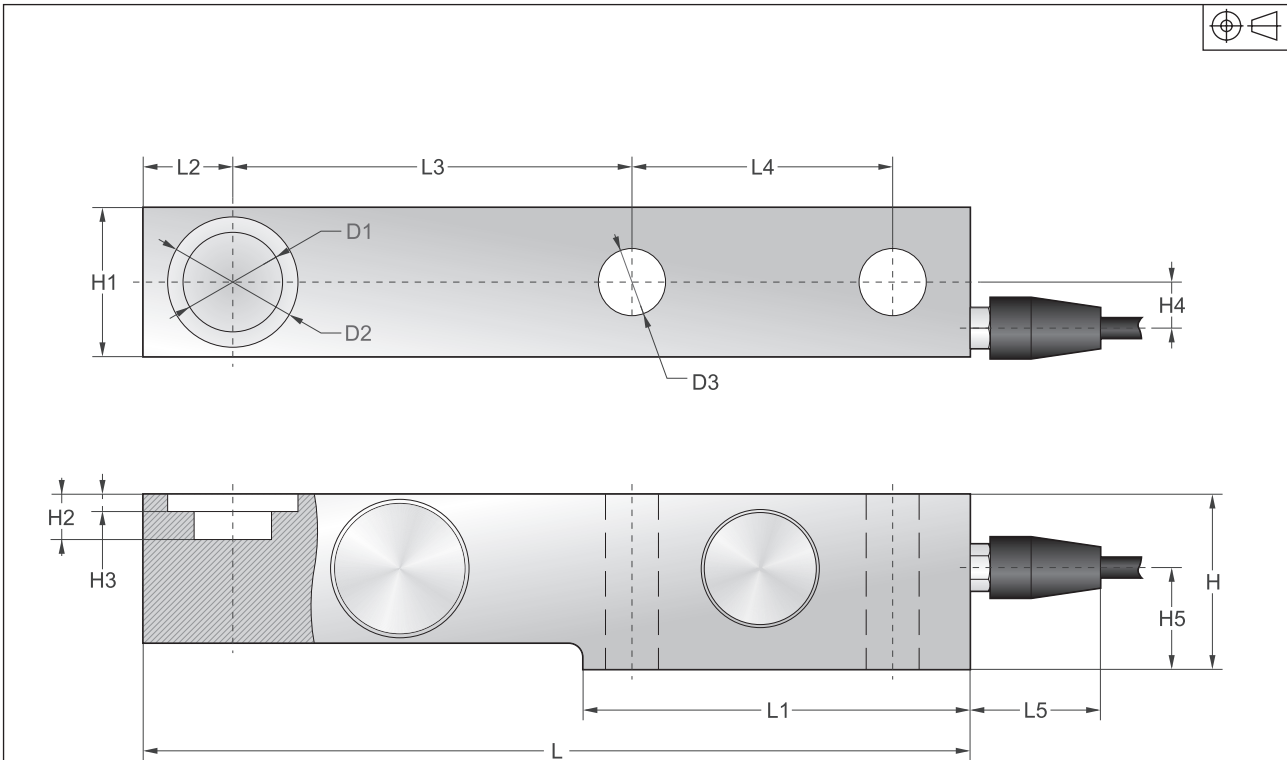
### Schematic 接线方式

- |         |          |      |      |
|---------|----------|------|------|
| Red :   | + input  | 红色 : | + 激励 |
| Black : | - input  | 黑色 : | - 激励 |
| Green : | + output | 绿色 : | + 信号 |
| White : | - output | 白色 : | - 信号 |



### Capacities 量程

10000kg, 15000kg, 20000kg

**Dimensions** 尺寸


| Capacity/量程 |    | L   | L1  | L2 | L3  | L4 | L5 | H    | H1 | H2 | H3  | H4   | H5   | D1  | D2  | D3    |
|-------------|----|-----|-----|----|-----|----|----|------|----|----|-----|------|------|-----|-----|-------|
| 10t         | mm | 279 | 133 | 32 | 140 | 82 | 32 | 67   | 60 | 20 | 8.5 | 21.5 | 37   | Ø32 | Ø48 | 2×Ø28 |
| 15t ~ 20t   | mm | 318 | 153 | 38 | 159 | 89 | 32 | 82.5 | 70 | 24 | 9.5 | 25.5 | 47.5 | Ø38 | Ø54 | 2×Ø34 |

**Specification** 技术参数

|                        |        |   |
|------------------------|--------|---|
| Rated Output           | 额定输出   | 2.0mV/V ±0.1%                             |
| Zero Balance           | 零点平衡   | ±1% of rated output                       |
| Creep after 30 minutes | 蠕变     | ±0.03% of rated output                    |
| Nonlinearity           | 非线性    | ±0.03% of rated output                    |
| Hysteresis             | 滞后     | ±0.03% of rated output                    |
| Repeatability          | 重复性    | ±0.03% of rated output                    |
| Temp. effect on output | 灵敏度温漂  | ≤0.002% of applied output/°C              |
| Temp. effect on zero   | 零点温漂   | ≤0.002% of rated output/°C                |
| Safe Temp. Range       | 可用温度范围 | -10°C to + 70°C                           |
| Temp. Compensated      | 温度补偿范围 | -10°C to + 40°C                           |
| Safe Overload          | 安全载荷   | 150%                                      |
| Input Impedance        | 输入阻抗   | 387 ohm ± 20 ohm                          |
| Output Impedance       | 输出阻抗   | 350 ohm ± 5 ohm                           |
| Insulation Resistance  | 绝缘阻抗   | ≥5000 M ohm (50V DC)                      |
| Rated Excitation       | 推荐激励电压 | 10V DC/AC                                 |
| Maximum Excitation     | 最大激励电压 | 15V DC/AC                                 |
| Cable Length           | 导线长度   | 9.5m(10~15t) / 13m(20t)                   |
| Cable Color Code       | 导线颜色   | Red(+ E) Black(- E) Green(+ S) White(- S) |