

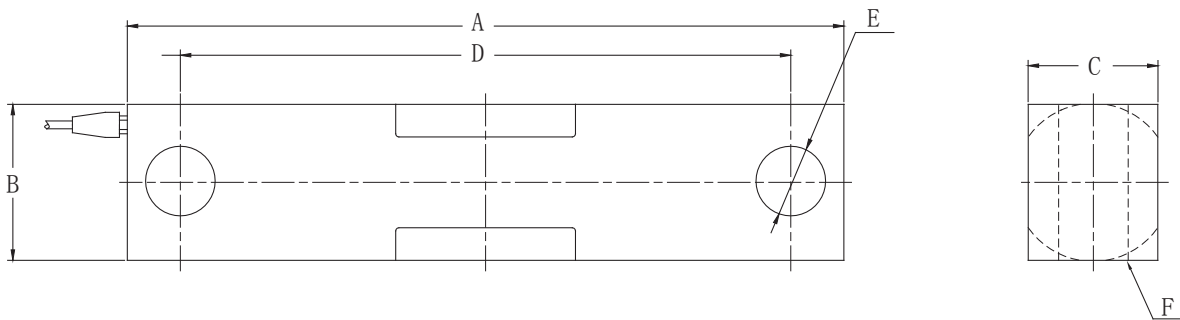


Features

- Shear Beam Load Cell
- Nickel Plated
- Easy to Install, Stable & Reliable
- Suitable for Tension Measurement,
- Rated up to IP67
- Equivalent to: Rice Lake RL75016, Vishay Sensortronics 65016

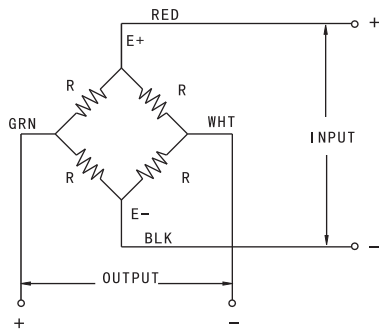
Dimensions

Capacity		A	B	C	D	E	F
2,000 - 5,000 lb	in	7.50	1.22	1.22	6.25	2x Φ 0.50	Φ 1.24
	mm	190.5	31.0	31.0	158.8	2x Φ 12.7	Φ 31.5
10,000 - 30,000 lb	in	8.75	1.94	1.44	7.50	2x Φ 0.81	Φ 1.98
	mm	222.2	49.3	36.6	190.5	2x Φ 20.6	Φ 50.6
50,000 - 75,000 lb	in	13.5	2.94	2.44	11.50	2x Φ 1.31	Φ 2.98
	mm	342.9	74.6	62.0	292.1	2x Φ 33.3	Φ 75.7



Schematic

Red: + excitation
 Black: - excitation
 Green: + signal
 White: - signal



Capacities / Model

2,500 lb	DBS-2.5K
5,000 lb	DBS-5K
10,000 lb	DBS-10K
15,000 lb	DBS-15K
20,000 lb	DBS-20K
25,000 lb	DBS-25K
30,000 lb	DBS-30K
50,000 lb	DBS-50K
75,000 lb	DBS-75K

Specifications

Rated Output	3.0mV/V \pm 0.1%
Zero Balance	\pm 1% of rated output
Creep after 30 minutes	\pm 0.03% of rated output
Nonlinearity	\pm 0.03% of rated output
Hysteresis	\pm 0.02% of rated output
Repeatability	\pm 0.02% of rated output
Temp. effect on output	\leq 0.002% of applied output/ $^{\circ}$ C
Temp. effect on zero	\leq 0.002% of rated output/ $^{\circ}$ C
Safe Temp. Range	-10 $^{\circ}$ C to + 80 $^{\circ}$ C
Temp. Compensated	-10 $^{\circ}$ C to + 50 $^{\circ}$ C
Safe Overload	1.5 X rated capacity
Input Impedance	775 ohm \pm 5 ohm
Output Impedance	700 ohm \pm 3 ohm
Insulation Resistance	\geq 5000 M ohm (50V DC)
Rated Excitation	10V DC/AC
Maximum Excitation	20V DC/AC
Cable Length	20 ft (6.1 m)
Cable Color Code	Red(+E) Black(-E) Green(+S) White(-S)

YOUR AUTHORIZED TRANSCCELL DEALER IS:

Specifications and features subject to change without notice.