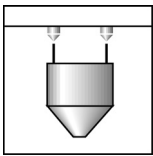


RSCC

Load cells

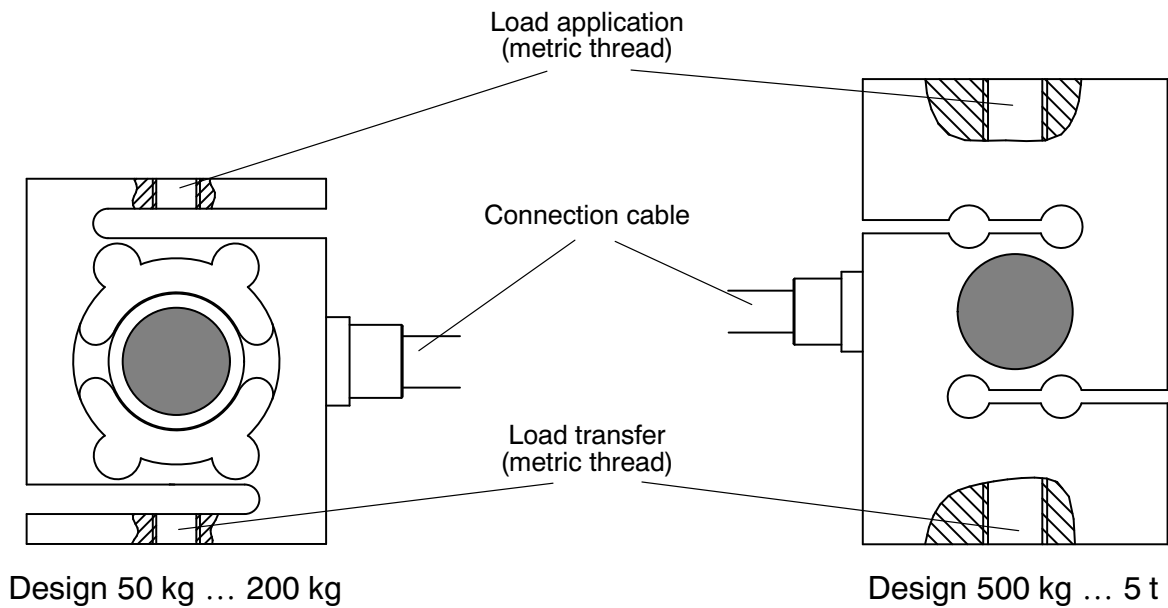


Special features

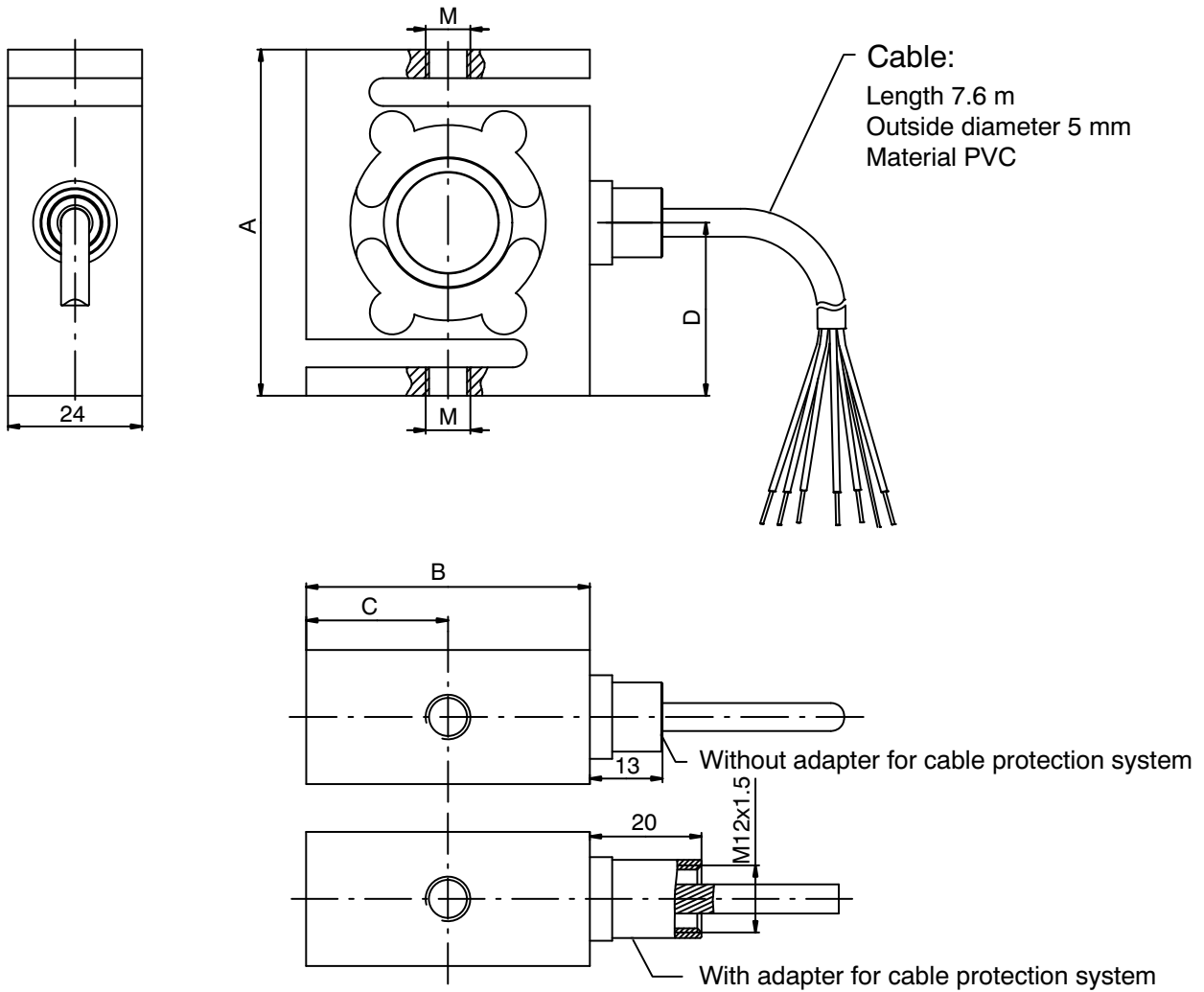
- Load cells with SG measuring system
- Nominal loads: 50 kg ... 5 t
- Hermetically encapsulated (IP68)
- Rust-resistant materials
- Up to 3000 legal for trade divisions, test report as per OIML-R60 for Class III scales
- Meets EMC requirements as per EN 45 501
- Six-wire circuit
- Ex-protection design as per ATEX (optional)



RSCC load cell principle

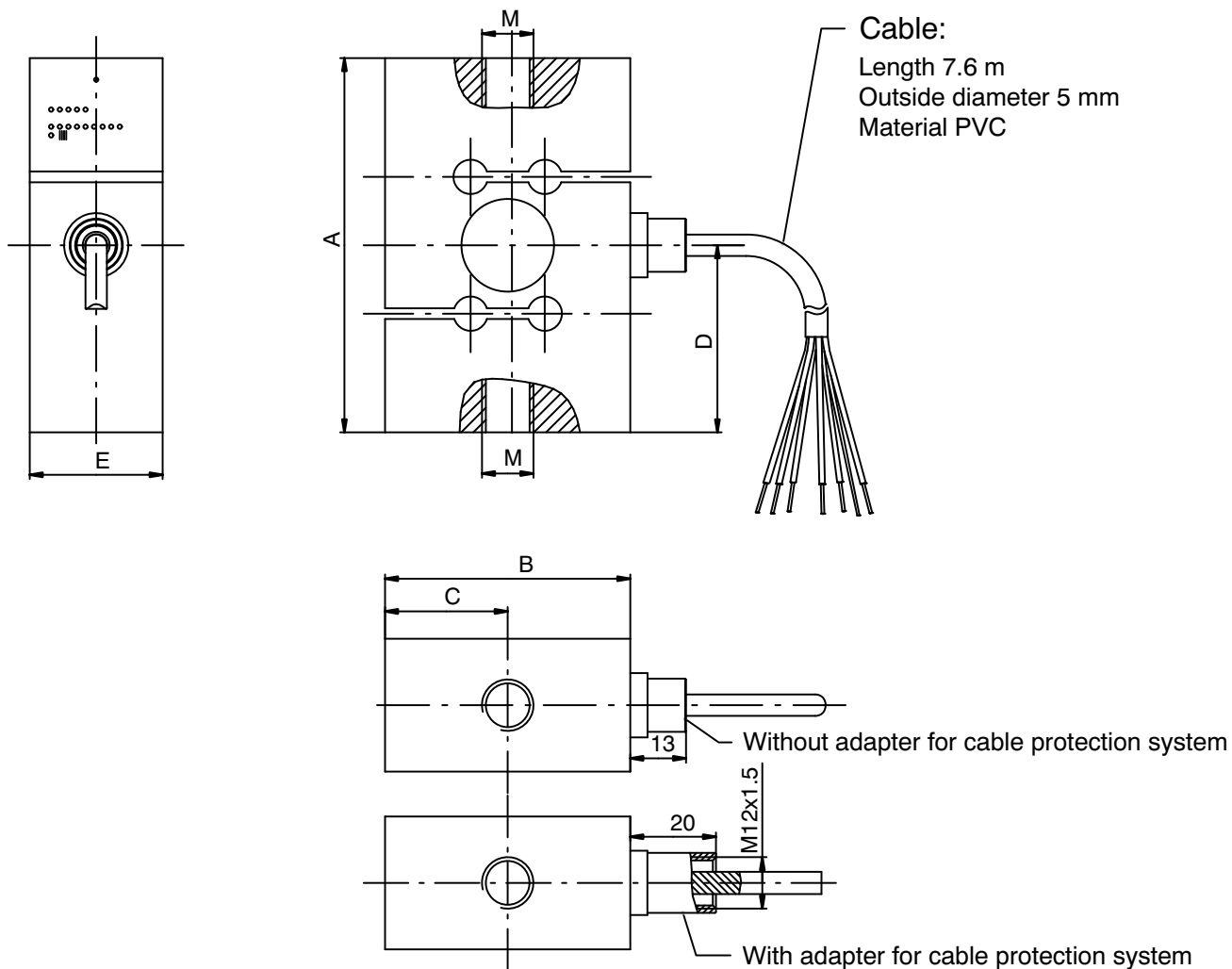


Dimensions (in mm; 1 mm = 0.03937 inches)



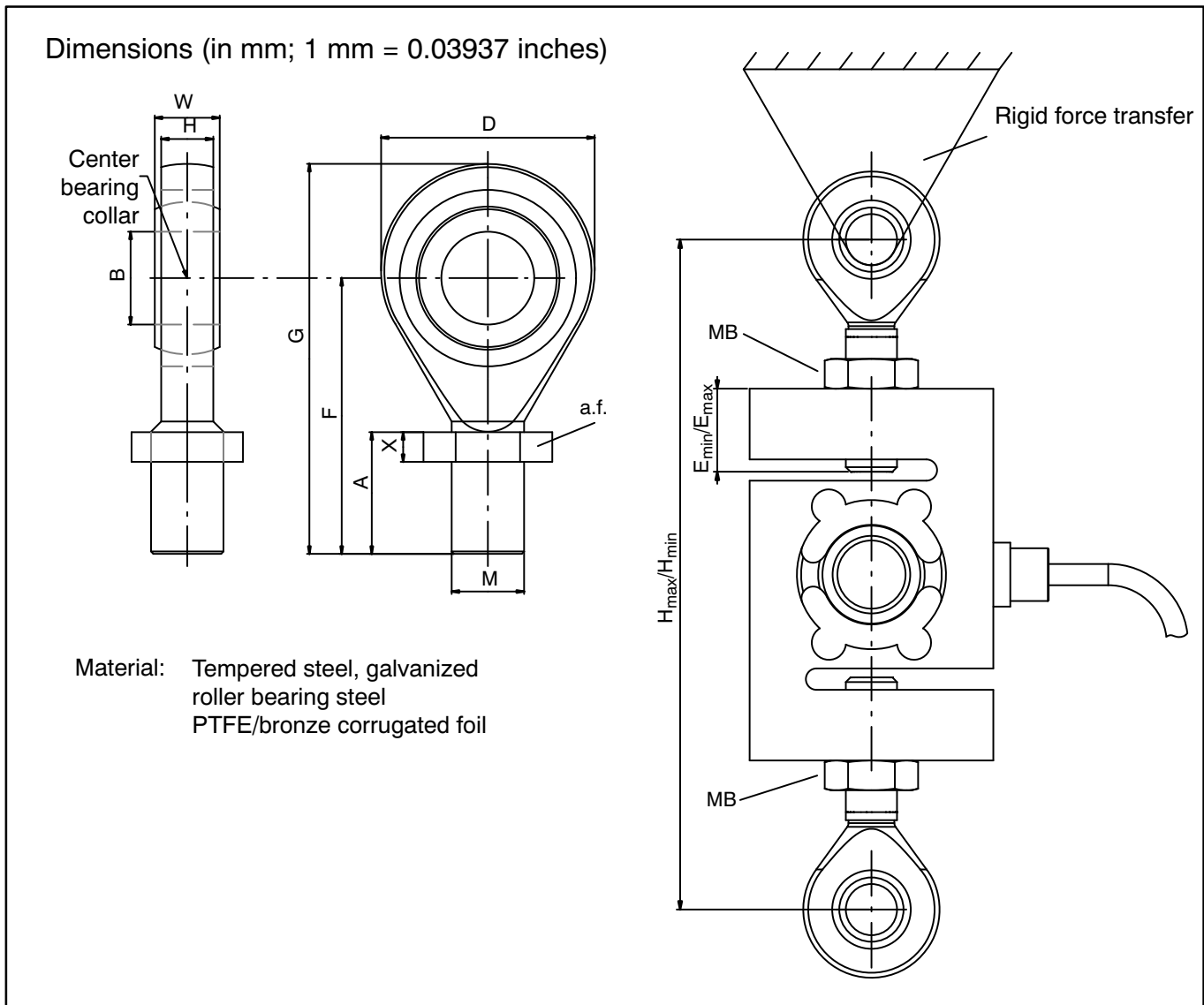
Maximum capacity	A	B	C	D	M
50 kg	62	50,8	25,4	31	M8
100 kg	62	50,8	25,4	31	M8
200 kg	87,3	57,2	28,6	43,7	M12

Dimensions (in mm; 1 mm = 0.03937 inches)



Maximum capacity	A	B	C	D	E	M
500 kg	87.3	57.2	28.6	43.7	31	M12
1 t	87.3	57.2	28.6	43.7	31	M12
2 t	100	69.8	34.9	50	31	M24x2
5 t	100	76.2	38.1	50	36.5	M24x2

Mounting accessories (to be ordered separately):



Maximum capacity	Weight (kg)	A	ØB H7	D	F	G	H	M	W	X	a.f.
50 kg ... 100 kg	0.05	15	8	24	32	44	9	M8	12	6.5	13
200 kg ... 1 t	0.1	33.5	12	32	54.5	70.5	12	M12	16	7	19
2 t ... 5 t	0.4	57.5	25	60	94.5	124.5	22	M24x2	31	10	36

Maximum capacity	H _{min}	H _{max}	E _{min}	E _{max}	M _B (N·m)
50 kg	110	118	4	8	15
100 kg	110	118	4	8	15
200 kg	156	174	11	20	50
500 kg	158	174	11	19	50
1 t	158	174	11	19	50
2 t	231	263	13	29	200
5 t	241	265	12	24	500

Specifications

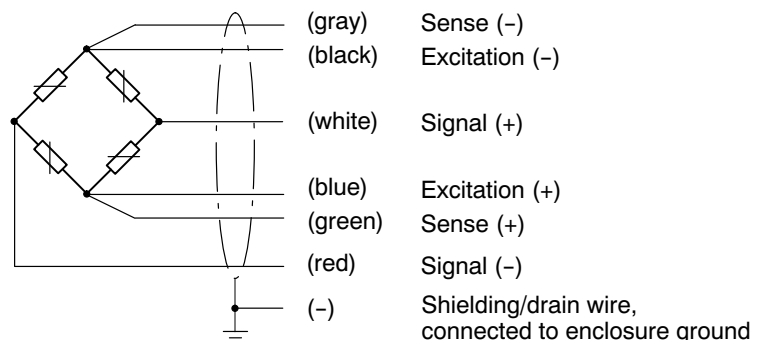
Type		RSCC						
Accuracy class as per OIML R 60		C3						
Number of scale divisions (n_{LC})		3000						
Nominal (rated) load (E_{max})		50 kg	100 kg	200 kg	500kg	1 t	2 t	5 t
Minimum scale division (v_{min})	% of E_{max}	0.0120						
Nominal (rated) sensitivity (C_N)	mV/V	2						
Sensitivity tolerance	%	± 0.25						
Zero signal	mV/V	0 ± 0.1						
Temperature coefficient of sensitivity (TC_S) ¹⁾		± 0.0170 (20°C ... 40°C) ± 0.0110 (-10°C ... 20°C)						
Temperature coefficient of zero signal (TC_0)	% of $C_n / 10K$	± 0.0166						
Relative reversibility error (d_{hy}) ¹⁾		± 0.0166						
Linearity deviation (d_{lin}) ¹⁾	% of C_n	± 0.0166						
Load creep (d_{cr}) in 30 min.		± 0.0166						
Input resistance (R_{LC}) (nominal)	Ω	389 ± 15						
Output resistance (R_0)		350 ± 1.5						
Insulation resistance (R_{iso})	G Ω /100 V	> 2						
Reference excitation voltage (U_{ref})	V	5						
Nominal supply voltage range (B_U)		0.5 ... 12						
Nominal ambient temperature range (B_T)		-10 ... +40						
Operating temperature range (B_{tu})		-30 ... +70						
Storage temperature range (B_{tl})		-50 ... +85						
Reference temperature (t_{ref})		22						
Limit load (E_L)		150						
Breaking load (E_d)		200		300			200	
Relative perm. vibrational stress (F_{srel}) (oscillation width as per DIN 50100)	% of E_{max}	70						
Nominal (rated) displacement at maximum capacity (s_{nom}), ± 0.05 mm	mm	0.35	0.4	0.35	0.1	0.2	0.2	0.4
Weight (G), approx.	kg	0.7		1	1.4		1.7	2.2
Degree of protection per EN 60 529 (IEC 529)		IP 68 (test conditions 1 m water column / 100 h)						
Cable length, six-wire configuration		Standard 7.6 m						
Material: Measuring body Cable inlet gland Cable sheath		Stainless steel ²⁾ Stainless steel / Neoprene PVC						

¹⁾ The values for non-linearity (d_{lin}), relative reversibility error (d_{hy}) and temperature coefficient of sensitivity (TC_S) are recommended values. The sum of these values is within the cumulative error limits laid down by OIML R60.

²⁾ As per EN 10088-1.

Cable assignment (6-wire configuration)

With this cable assignment, the output voltage at the measuring amplifier is positive in the tensile direction when the transducer is loaded.



Order numbers (overview)

RSCC load cells

Maximum capacity	Order No.
50 kg	1-RSCC3/50KG-1
100 kg	1-RSCC3/100KG-1
200 kg	1-RSCC3/200KG-1
500 kg	1-RSCC3/500KG-1
1 t	1-RSCC3/1T-1
2 t	1-RSCC3/2T-1
5 t	1-RSCC3/5T-1

RSCC accessories

Maximum capacity	ZG... (knuckle eyes top and bottom)
50 kg ... 100 kg	1-U1R/200KG/ZGW
200 kg ... 1 t	1-U2A/1T/ZGUW
2 t ... 5 t	1-U2A/5T/ZGUW

Modifications reserved.

All product descriptions are for general information only. They are not to be understood as a guarantee of quality or durability and do not constitute any liability whatsoever.

Hottinger Baldwin Messtechnik GmbH

Im Tiefen See 45 · 64293 Darmstadt · Germany
Tel. +49 6151 803-0 · Fax: +49 6151 803-9100
E-mail: info@hbm.com · www.hbm.com

measure and predict with confidence

