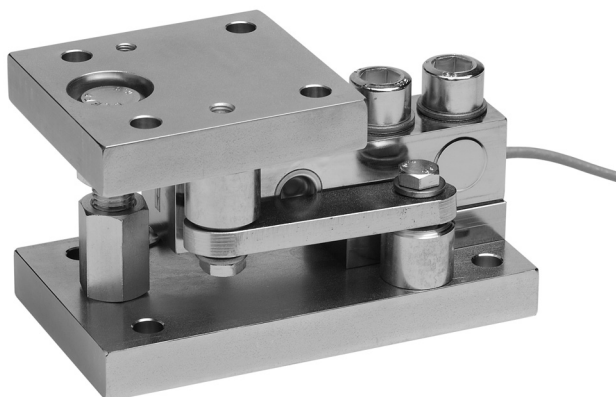




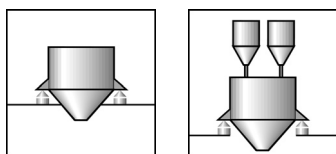
# HLCM...

Weighing module for  
220 kg ... 4.4 t

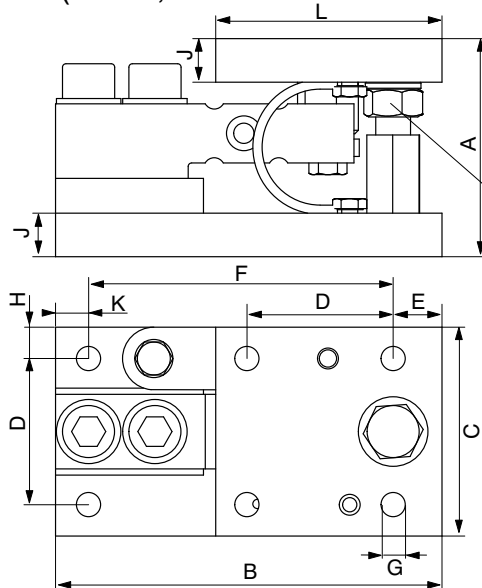


## Special features

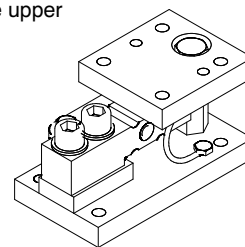
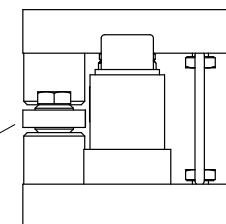
- Equipped with load cell HLCB class D1 or C3, qualified for legal for trade applications according to OIML R60
- Compact installation at minimum installation height
- With stay rod
- Self-restoring due to pendle bearing
- Two versions available:
  - Galvanized material
  - Stainless steel (preferred types)
- With anti-liftoff device and lifting device



Dimensions (in mm; 1 mm= 0.03937 inches)



Lifting device / anti-liftoff device  
\* For removing the load cell, the upper plate can be lifted max. 1.5 mm



| Max. capacity                      | A                    | B   | C   | D  | E    | F   | ØG   | H  | J  | K    | L   |
|------------------------------------|----------------------|-----|-----|----|------|-----|------|----|----|------|-----|
| 220 kg; 550 kg; 1.1 t; 1.76 t; 2 t | 93.6 <sup>±1.6</sup> | 170 | 100 | 70 | 17   | 136 | 13.5 | 15 | 19 | 17   | 104 |
| 2.2 t                              | 125.3 <sup>±2</sup>  | 220 | 120 | 84 | 25.5 | 175 | 14   | 18 | 23 | 19.5 | 135 |
| 4.4 t                              | 125.3 <sup>±2</sup>  | 220 | 120 | 84 | 25.5 | 175 | 14   | 18 | 23 | 19.5 | 135 |

## Specifications

| Maximum capacity  |                       | 220 kg; 550 kg; 1.1 t; 1.76 t               | 2 t <sup>1)</sup> | 2.2 t; 4.4 t |
|---|-----------------------|---|-------------------|--------------|
| Limit load HLC/MLB...<br>HLC/MLBR...  | % of maximum capacity | 150<br>120                                  | 130<br>105        | 150<br>120   |
| Breaking load   | % of maximum capacity | 200   |                   |              |
| Restoring force (for 1 mm side offset)  | % of applied load     | 7.7   |                   |              |
| Max. permissible horizontal shift transverse to the stay rod axis <sup>2)</sup> | mm                    | 1.5   |                   |              |
| Max. permissible static horizontal force in stay rod axis                       | kN                    | 10  | 22                |              |
| Max. permissible lifting force  | kN                    | 20  | 44                |              |
| Material  |                       | Galvanized or Stainless steel <sup>3)</sup> |                   |              |
| Weight (depending on version, incl. load cell)                                  | kg                    | 7 ... 10                                    |                   |              |

<sup>1)</sup> Not available in C3 class version!

<sup>2)</sup> For horizontal adjustment of upper module plate

<sup>3)</sup> According to EN 10088-1

**For additional information on the appropriate load cells, please refer to the Data sheet HLC...**

## Ordering codes

**HLC/M3LB-Modules (incl. load cell HLCB...), preferred types**

| Type             | HLC/M3LB                      |
|------------------|-------------------------------|
| Material         | Stainless steel <sup>1)</sup> |
| Accuracy class   | C3 (OIML)                     |
| Maximum capacity | Order no.                     |
| 220 kg           | 1-HLC/M3LBR220KG              |
| 550 kg           | 1-HLC/M3LBR550KG              |
| 1.1 t            | 1-HLC/M3LBR1.1T               |
| 1.76 t           | 1-HLC/M3LBR1.76T              |
| 2.2 t            | 1-HLC/M3LBR2.2T               |
| 4.4 t            | 1-HLC/M3LBR4.4T               |

<sup>1)</sup> According to EN 10088-1

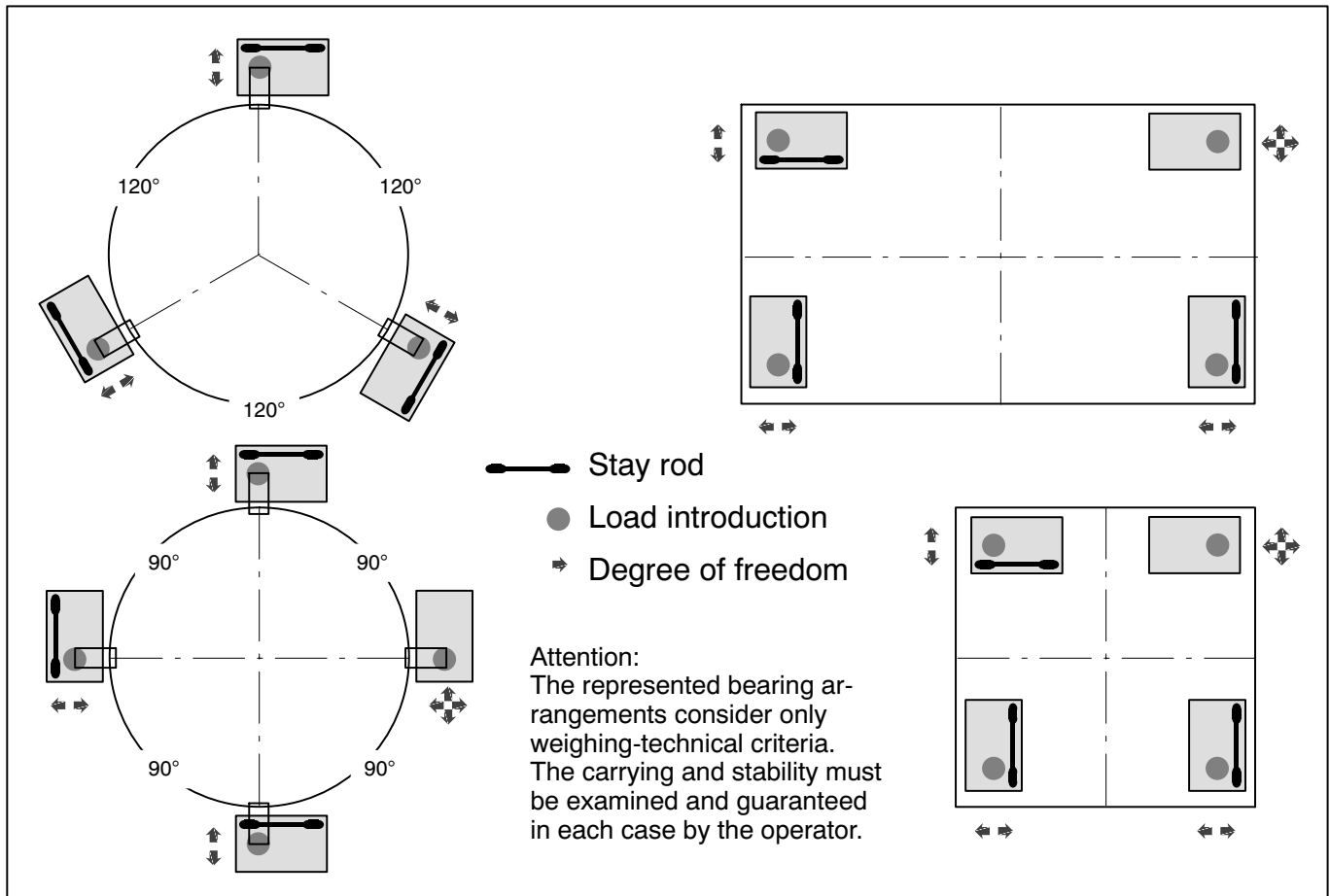
## Ordering codes HLC/M-Modules (incl. load cell HLCB...), optional versions

|               |  |
|---------------|--|
| Order no.     |  |
| <b>K-HLCM</b> |  |
| <b>Code</b>   | <b>Option 1: Material</b>                                      |
| <b>V</b>      | Galvanized   |
| <b>R</b>      | Stainless steel  |
| <hr/>         |  |
| <b>Code</b>   | <b>Option 2: Accuracy</b>                                      |
| <b>D1</b>     | D1 (OIML)  |
| <b>C3</b>     | C3 (OIML)  |
| <hr/>         |  |
| <b>Code</b>   | <b>Option 3: Capacity</b>                                      |
| <b>220</b>    | 220kg  |
| <b>550</b>    | 550kg  |
| <b>1100</b>   | 1.1t   |
| <b>1760</b>   | 1.76t  |
| <b>2200</b>   | 2.2t   |
| <b>4400</b>   | 4.4t   |
| <hr/>         |  |
| <b>Code</b>   | <b>Option 4: Ex protection (accord. to ATEX 95)</b>            |
| <b>N</b>      | non ATEX   |
| <b>1</b>      | ATEX Zone 1 + 21 and FM  |
| <b>2</b>      | ATEX Zone 2 + 22 (non-conductive dust)                         |
| <hr/>         |  |
| <b>Code</b>   | <b>Option 5: Cable length</b>                                  |
| <b>S3</b>     | 3m (Standard) [ only with Option 3 = 220 / 550 / 1100 / 1760 ] |
| <b>S6</b>     | 6m (Standard) [ only with Option 3 = 2200 / 4400 ]             |
| <b>6</b>      | 6m [ only with Option 3 = 220 / 550 / 1100 / 1760 ]            |
| <b>12</b>     | 12m  |
| <b>20</b>     | 20m [ only with Option 6 = B2 ]                                |
| <hr/>         |  |
| <b>Code</b>   | <b>Option 6: Load cell type</b>                                |
| <b>B1</b>     | HLCB1 (Standard)   |
| <b>B2</b>     | HLCB2 [ only with Option 2 = C3 ]                              |

K-HLCM -  -  -  -  -  -  -

[ ]: Not all codes can be combined with each other. Please take heed of the terms in the square brackets!

## Mounting example of weighing modules with stay rods:



### Scope of supply:

Weighing module complete mounted with pendle support, stay rod, grounding cable and load cell type HLCB

Modifications reserved.

All details describe our products in general form only. They are not to be understood as express warranty and do not constitute any liability whatsoever.

### Hottinger Baldwin Messtechnik GmbH

Im Tiefen See 45 · 64293 Darmstadt · Germany  
 Tel. +49 6151 803-0 · Fax: +49 6151 803-9100  
 Email: [info@hbm.com](mailto:info@hbm.com) · [www.hbm.com](http://www.hbm.com)

measure and predict with confidence

