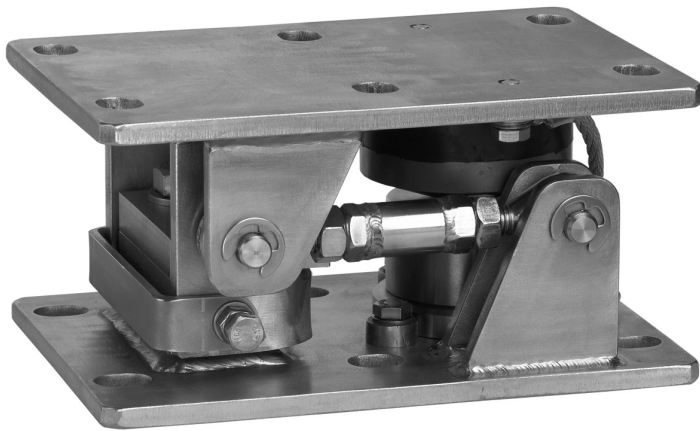


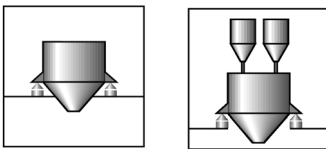
RTN/M2(L)A...

Weighing module for
RTN load cells 1 t ... 33 t



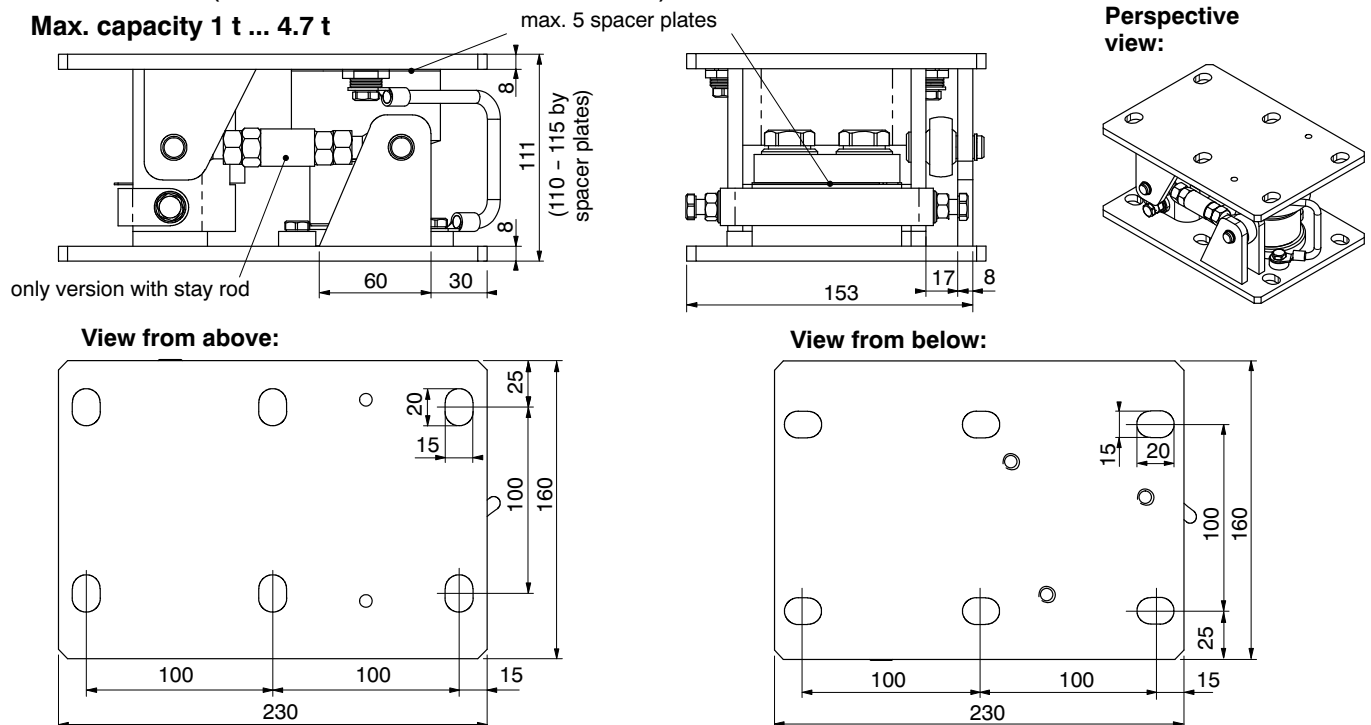
Special features

- Compact design
- Equipped with rubber-metal bearing
- Integrated anti-liftoff device
- Integrated horizontal stops
- Dummy function
- Material: stainless steel until 22 t
- With stay rod
(→ also available without stay rod)
- Certified by Technical Inspection Agency (TÜV)

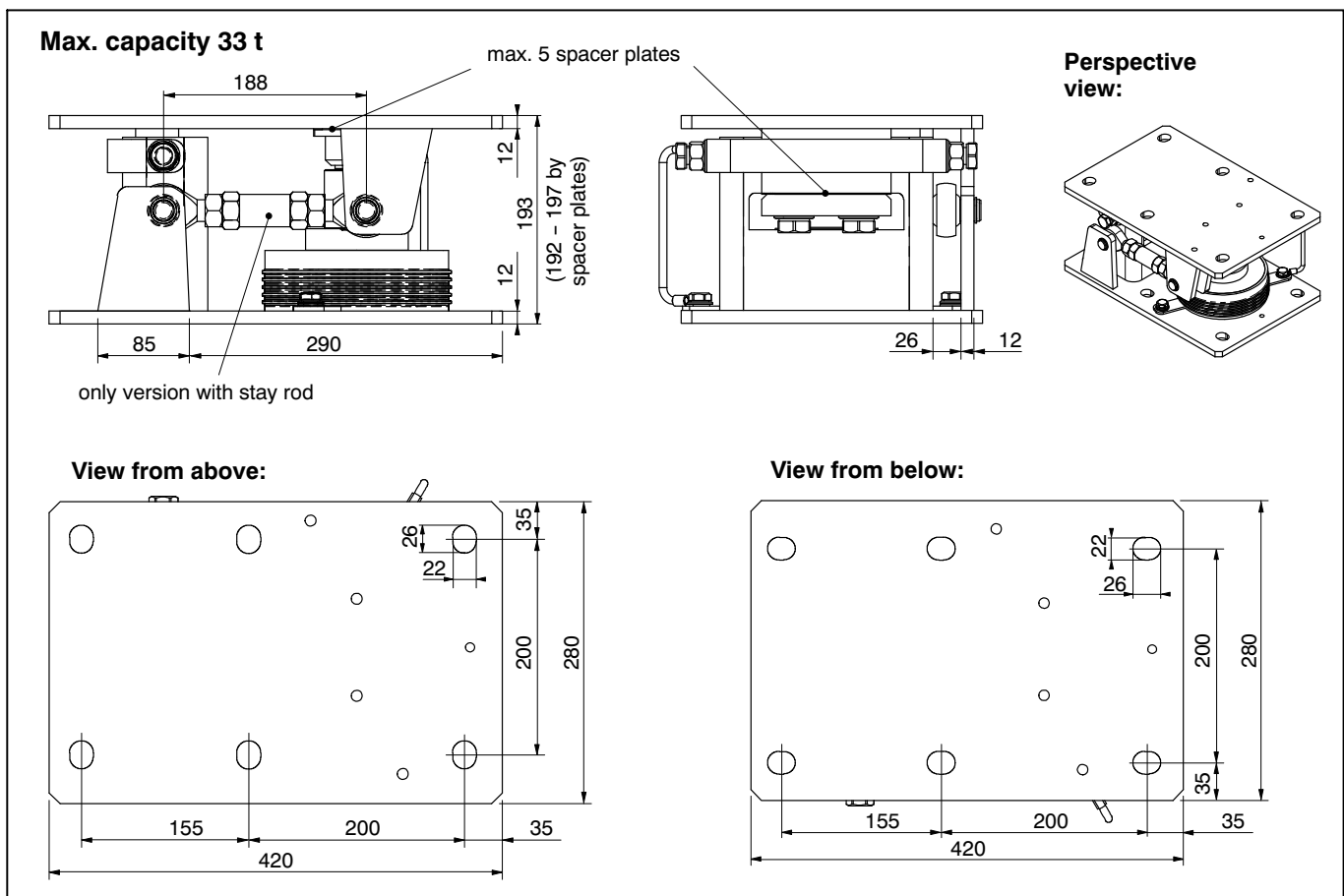
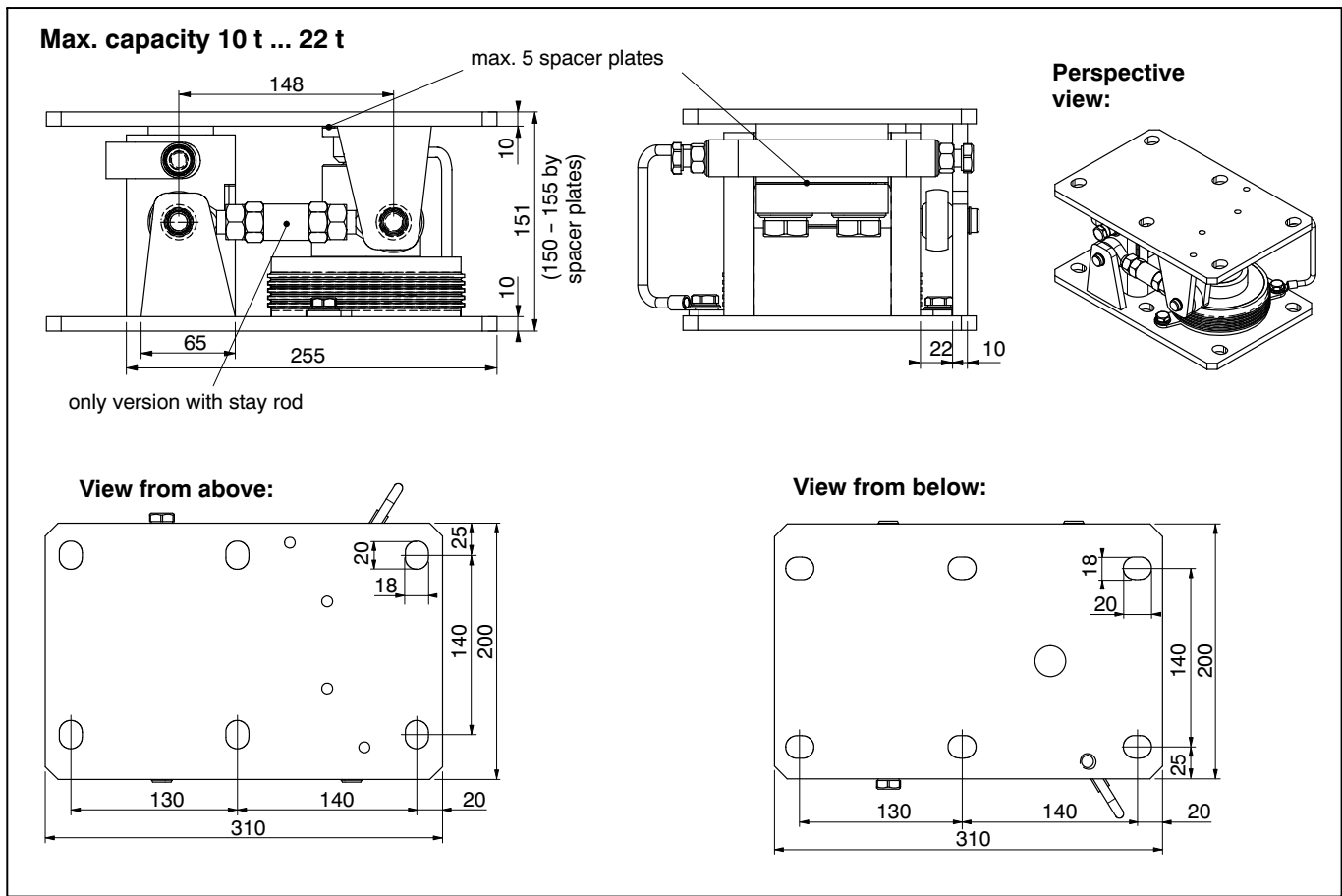


Dimensions (in mm; 1 mm = 0.03937 inches)

Max. capacity 1 t ... 4.7 t



Dimensions (in mm; 1 mm= 0.03937 inches)



Specifications

| Type | | RTN/M2LAR2.2T | | RTN/M2LAR4.7T | RTN/M2LAR22T | | | RTN/M2LA33T |
|--|----------------|-------------------------------------|-----|---------------|--------------|----|----|-------------|
| Max. capacity (E_{max}) of the load cell | t | 1 | 2.2 | 4.7 | 10 | 15 | 22 | 33 |
| Limit load | % of E_{max} | 150 | | | | | | |
| Max. permissible loading of horizontal stops transverse to stay rod axis | | 10 | | | | | | |
| Restoring force for 1 mm horizontal shift | kN | 0.24 | | 0.42 | 1.4 | | | 1.7 |
| Max. permissible horizontal shift transverse to stay rod axis | mm | ± 2 | | | ± 6 | | | |
| Vertical displacement at max. capacity | mm | <0.8 | | | <0.5 | | | <0.9 |
| Max. permissible lifting force ¹⁾ | kN | 20 | | | 50 | | | 30 |
| Max. permissible horizontal force in stay rod axis ¹⁾ | kN | 10 | | | 30 | | | 50 |
| Material: Metall parts | | stainless steel | | | | | | galvanized |
| Rubber-metal bearing | | Neoprene (Chlorbutadien caoutchouc) | | | | | | |
| Weight (with dummy), approx. | kg | 10.5 | | | 21.5 | | | 44.5 |
| Min. lifting height for installing the load cell | mm | 10 | | | | | | |
| Height adjustment (spacer plates in scope of delivery) | mm | 5 | | | | | | |

¹⁾ These specifications are based on DIN 18800

Product types:

| Order number | Max. capacity for load cell | Material | Version |
|-----------------|-----------------------------|-----------------|------------------|
| 1-RTN/M2LAR2.2T | 1 t ... 2.2 t | stainless steel | WITH stay rod |
| 1-RTN/M2AR2.2T | | | WITHOUT stay rod |
| 1-RTN/M2LAR4.7T | 4.7 t | stainless steel | WITH stay rod |
| 1-RTN/M2AR4.7T | | | WITHOUT stay rod |
| 1-RTN/M2LAR22T | 10 t ... 22 t | stainless steel | WITH stay rod |
| 1-RTN/M2AR22T | | | WITHOUT stay rod |
| 1-RTN/M2LA33T | 33 t | galvanized | WITH stay rod |
| 1-RTN/M2A33T | | | WITHOUT stay rod |

Scope of supply:

Weighing module complete mounted with stay rod (without RTN load cell).

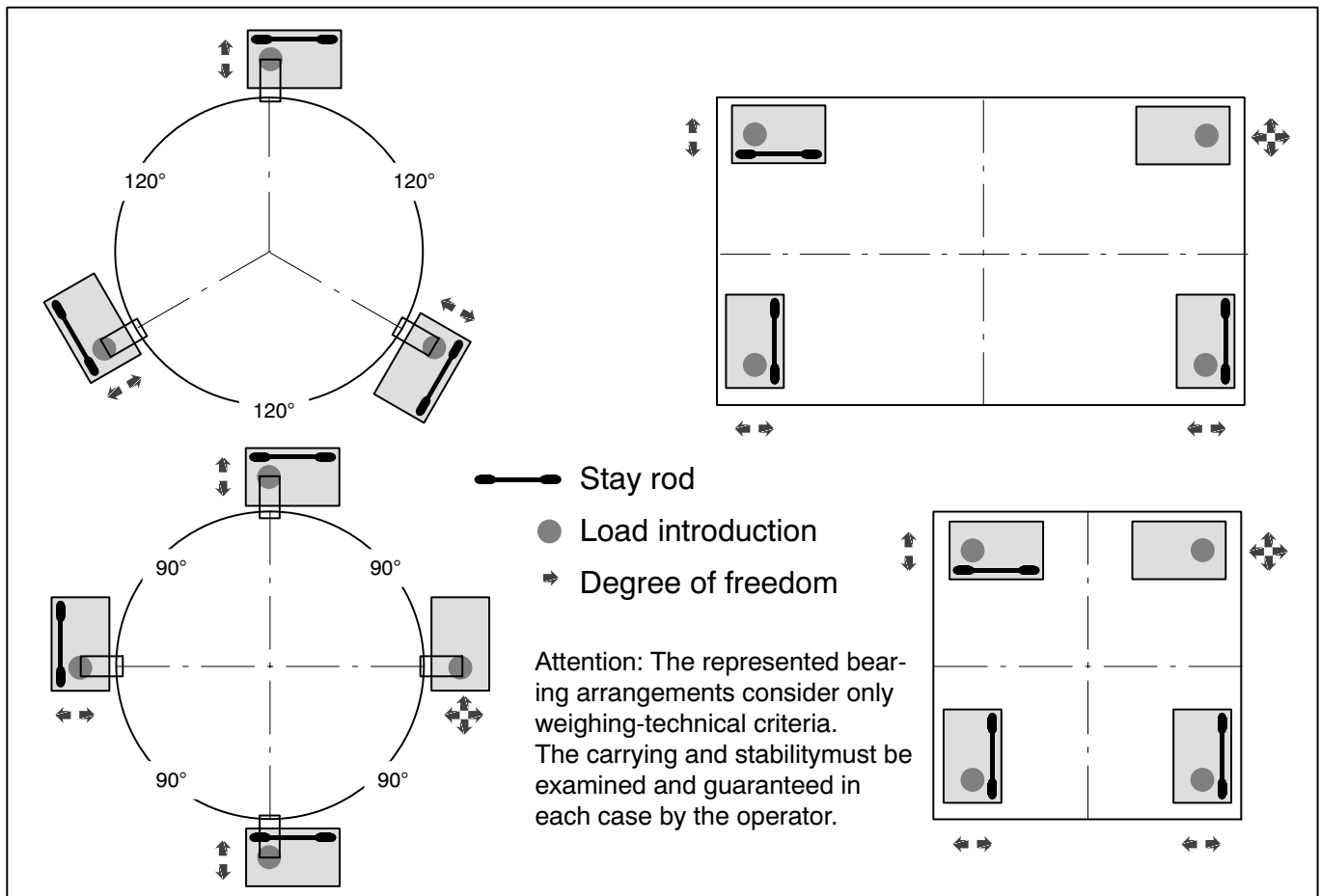
Attention: Instead of the load cell, a dummy is installed, which is able to support the load up to the specified values above. Please take care you have to lift the tank in mounted condition min. 10 mm to change the dummy to the RTN load cell.

Available Options for RTN load cell:

- **Explosion-proof versions according to ATEX:** II 2 G EEx ia IIC T4 resp. T6 (Zone 1) *)
II 3 G EEx nA II T6 (Zone 2)
II 2 D IP68 T80 °C (Zone 21) *)
II 3 D IP68 T80 °C (Zone 22 for non-conductive dust)
*) with EC-Type Examination Certificate

For additional information on the appropriate load cells, please refer to our data sheet RTN.

Mounting examples of weighing modules with stay rods



Further accessory:

Fixed bearings with the same installation height as the weighing module. Please find further information in a separate data sheet.



Modifications reserved.
 All details describe our products in general form only. They are not to be understood as express warranty and do not constitute any liability whatsoever.

Hottinger Baldwin Messtechnik GmbH

Im Tiefen See 45 · 64293 Darmstadt · Germany
 Tel. +49 6151 803-0 · Fax: +49 6151 803-9100
 Email: info@hbm.com · www.hbm.com

measure and predict with confidence

