

# Hermetic stainless steel Single Point Platform Size up to 800x1200 mm



## Wash Down Applications

SSH is the right choice for the food or pharmaceutical industry where daily wash down is required. It provides best weighing performance in a hermetically sealed stainless steel load cell. Thus it is ideal for stainless steel scales or general weighing applications where the highest grade of IP protection and corrosion resistance is required.



## Off-Center compensation

One load cell can be used to support a weighing platform and, due to the off-center load compensation, the SSH will weigh within tolerance regardless of load application point.



## Highest Robustness

SSH is an extremely robust single point load cell suitable for almost all industrial environments. It allows 50% static overload without compromising the weighing performance.



## SSH Hermetic Single Point Load Cell

The SSH load cell features:

- Off-center load compensation (R76)
- OIML R60 C3 approval (200 - 1000kg)
- up to 800x1200 mm platform size
- IP68 protection class
- Stainless Steel
- 50 - 1000kg capacity range

The SSH is the ideal solution for floor scales and packaging and process weighing where a hermetically sealed stainless steel load cell is required for harsh chemical and washdown environments. Due to the low profile the integration into any system is easy. The broad capacity range and large platform size allows wide application in industrial weighing applications.

# SSH Load Cell Specifications

Parameter		unit of measure	Specification				
Model No:			SSH				
Rated Capacity (R.C.)		t (klb, nominal)	50 (110)	100 (220)	200 (440)	500 (1100)	1000 (2200)
Rated Output		mV/V @R.C.	2 ± 0.2				
Zero load Output		%R.C.	≤ 1				
Combined Error <sup>1) 2)</sup>		%R.C.	≤ 0.0018				
Repeatability Error		%A.L. <sup>3)</sup>	≤ 0.01				
Creep, 30 minute		%A.L.	≤ 0.0167				
Min. Dead Load Output Return (DR), 30 min		%A.L.	≤ 0.0167				
Temperature Effect on	Min Dead load Output	%R.C./°C (...°F)	≤ 0.002 (0.001)				
	Sensitivity <sup>2)</sup>	%A.L./°C (...°F)	≤ 0.0009 (0.0005)				
Temperature Range	Compensated		-10 ~ +40 (+14 ~ +104)				
	Operating	°C (°F)	-20 ~ +65 (-4 ~ +150)				
	Safe Storage		-20 ~ +80 (-4 ~ +176)				
OIML / European Approval <sup>4)</sup>	OIML Cert. No.		R60/2000-NL1-09.-13				
	European Cert. No.		TC7648				
	Class		C3				
	nmax		3000				
	Y		7350				
	PLC		0.7				
	Humidity Symbol		CH				
	Min. dead load	kg (lb)	0(0)				
	Z		3000				
Excitation Voltage	Recommended	V AC/DC	5~15				
	Maximum		20				
Terminal Resistance	Excitation	Ω	381± 4				
	Output		350 ± 1				
Insulation Resistance @50VDC		MΩ	> 5000				
Breakdown Voltage		V AC	> 500				
Material	Spring Element		Stainless steel				
	Enclosure		Stainless steel				
	Cable entry fitting		Stainless steel				
	Cable		PVC				
Protection	Type		welded				
	IP Rating		IP68				
	NEMA Rating		NEMA 6/6P				
Load Limit	Safe	%R.C.	150				
	Ultimate		300				
Safe Dynamic Load		%R.C.	70				
Fatigue Life		cycles @R.C.	>1,000,000				
Direction of Loading			compression				
Deflection @ R.C., nominal		mm (in)	0.3 typ (0.012 typ)				
Weight, nominal		kg (lb)	1,5 (3.3)				2 (4.5)
Cable Length		m (ft)	2.5m (8.3); 6 (20)				
Barometric Pressure Effect on Zero Load Output		kg/kPa (lb/in.Hg)	none				
Safe Side Load		%R.C.	100				
Overload Protection			none				
Mounting Screw	Grade		12.9				
	Size/thread	mm (in)	M8				M14
	Engaged Length	mm (in)	20 (0.8)				
	Torque, nominal	N.m (ft-lb)	20 (15)	30 (22)			98 (72)
Max Platter Size	cm x cm		50X50		60X80	80x120	
	(in x in)		(19.7x19.7)		(23.6x31.5)	(31.5x47.3)	
Off Center Load Error @33%R.C.	%A.L./cm		0.004		0.0028	0.0019	
	(.../in)		(0.01)		(0.0007)	(0.005)	

<sup>1)</sup> Error due to the combined effect of non-linearity and hysteresis

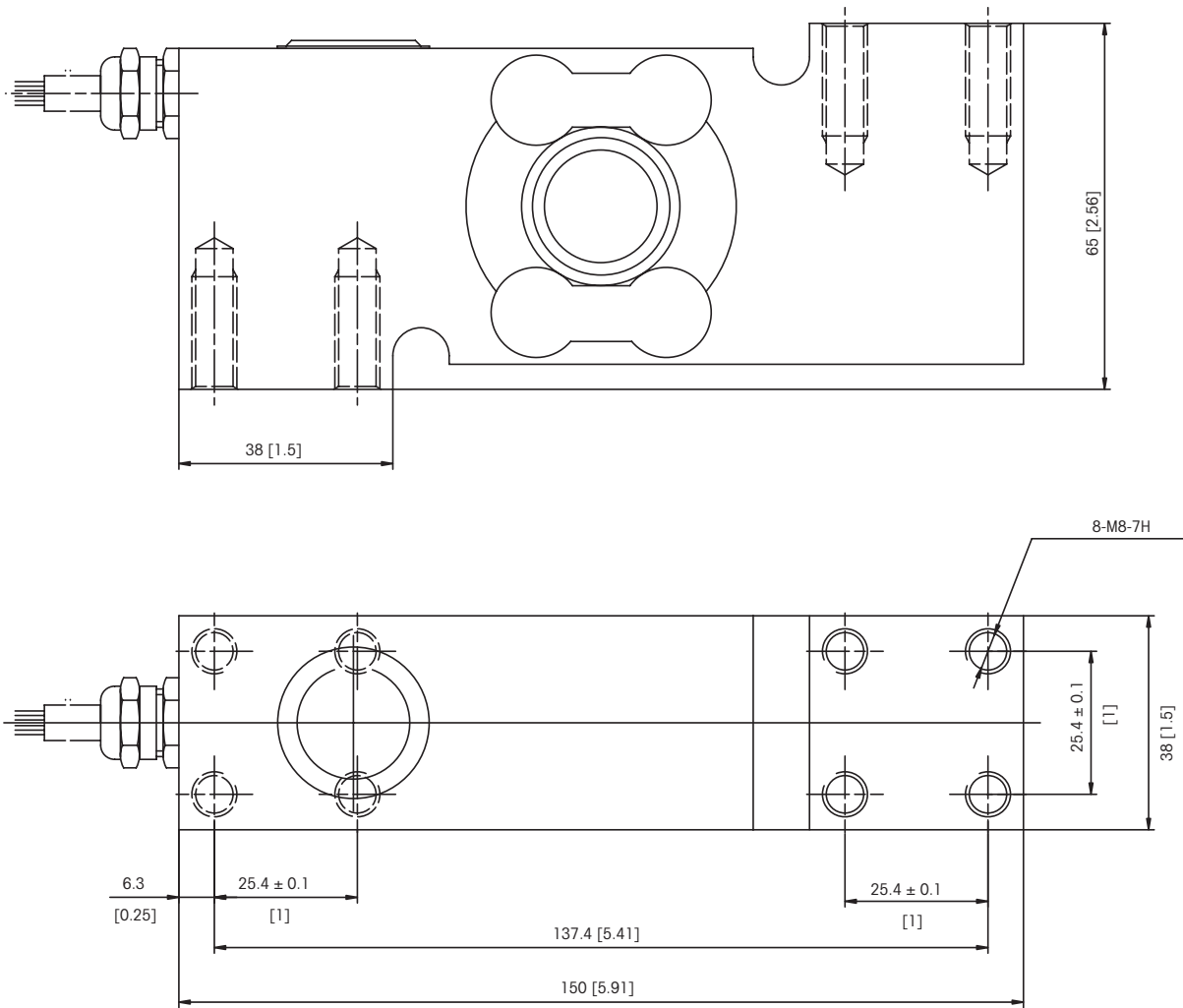
<sup>2)</sup> Typical values only. The sum of errors due to Combined Error and Temperature Effect on Sensitivity comply with the requirements of OIML, R50 and NIST HB44.

<sup>3)</sup> A.L. = Applied Load

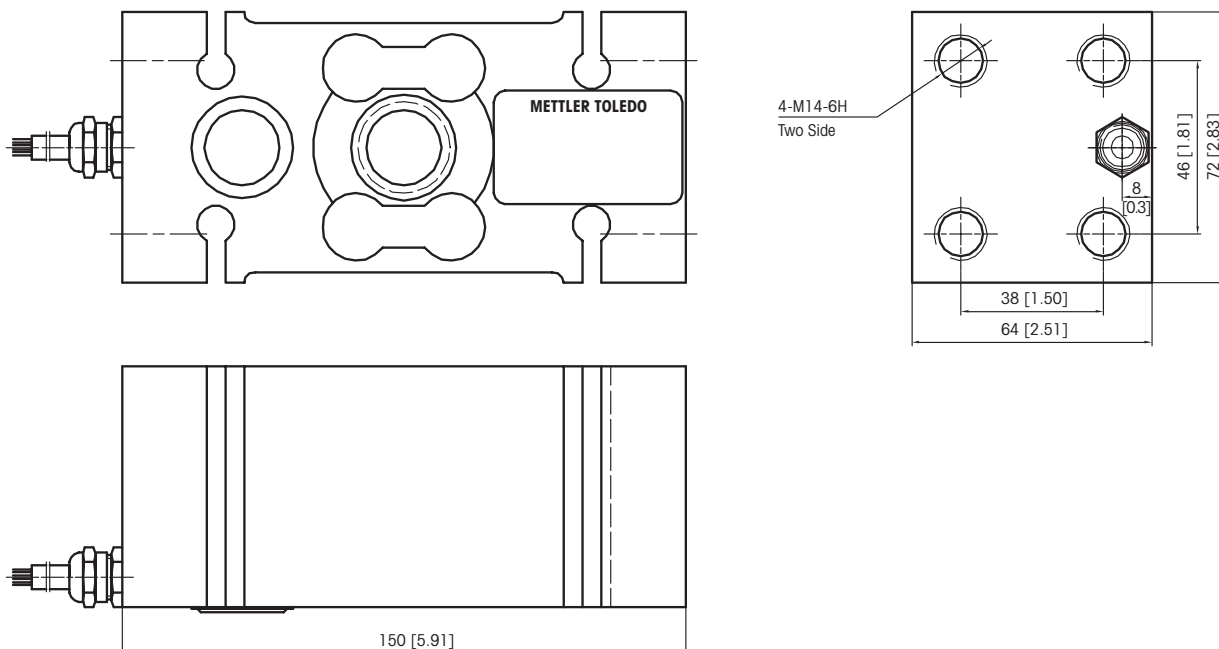
<sup>4)</sup> See certificate for complete information.



## SSH 50-500kg Load Cell Dimensional Drawings mm [inch]



## SSH 1000kg Load Cell Dimensional Drawings mm [inch]



## SSH Load Cell Order Information

Description	Item No.
<b>Load Cell SSH-50kg – 2.5M</b>	<b>71209634</b>
<b>Load Cell SSH-100kg – 2.5M</b>	<b>71209625</b>
<b>Load Cell SSH-200kg – 2.5M</b>	<b>71209643</b>
<b>Load Cell SSH-500kg – 2.5M</b>	<b>71209644</b>
<b>Load Cell SSH-1000kg – 2.5M</b>	<b>71209937</b>
Load Cell SSH-50kg – 6M	72208581
Load Cell SSH-100kg – 6M	72208582
Load Cell SSH-200kg – 6M	72208583
Load Cell SSH-500kg – 6M	72208584
Load Cell SSH-1000kg – 6M	72208585

**Bolded entries are stocked**

## SSH Load Cell Cable Colours

Colour	Function
Green	+ Excitation
Black	- Excitation
White	+ Signal
Red	- Signal
Yellow	+ Sense
Blue	- Sense
Yellow (Long)	Shield

## Full Connectivity

METTLER TOLEDO supplies various data communication interfaces that enable our sensors and instruments to communicate with your PLC, MES, or ERP systems.



## METTLER TOLEDO Service

Our extensive service network is among the best in the world and ensures maximum availability and service life of your product.

## Weighing Electronics

METTLER TOLEDO offers a complete family of electronics from simple weighing to application solutions for filling, stock control, batching, formulation, counting, and checkweighing.



Quality certificate ISO 9001  
Environment certificate ISO 14001

Subject to technical changes.  
© 07/2014 Mettler-Toledo AG  
Printed in Switzerland MTSI 44099846  
MarCom Industrial

[www.mt.com](http://www.mt.com)

Visit for more information