

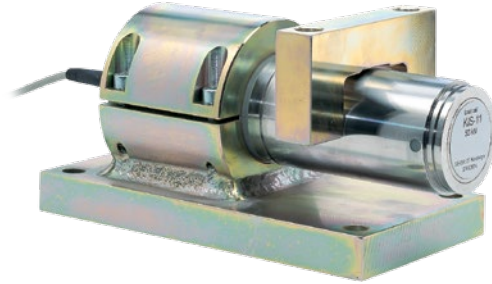
Weigh Module

FEATURES

- Capacities: 50, 100 and 125 kN
- Easy installation
- Moveable load point
- Withstands very high lateral forces
- Extremely accurate and rugged
- ATEX, IECEx and OIML

APPLICATIONS

- Batch/blend/mix systems
- Reactor vessels
- Quality-critical process weighing
- Precision force measurement



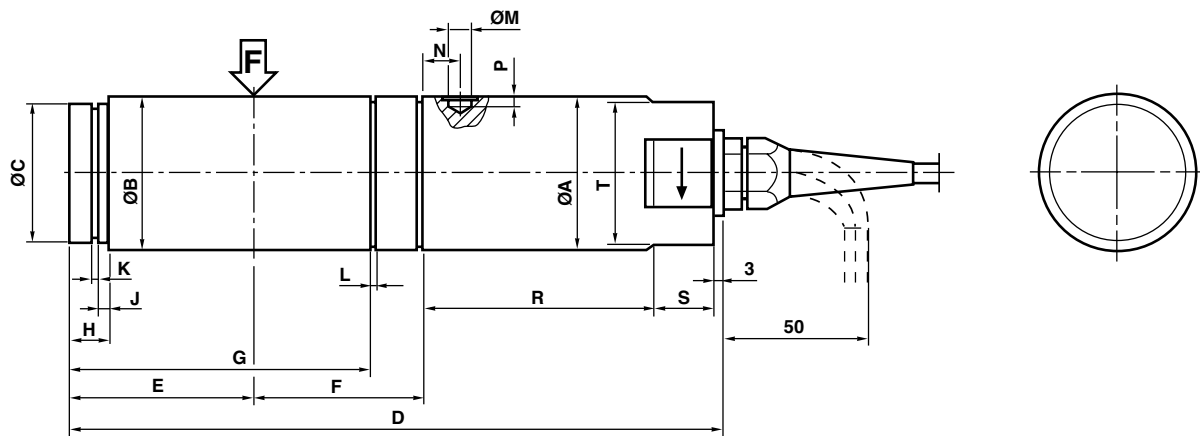
DESCRIPTION

The KIS-11 load cell has several features that clearly distinguish it from other load cells. KIS-11 cells are easy to install and extremely accurate, even when subjected to dynamic process forces and severe environmental conditions.

All KIS load cells can be ATEX and IECEx certified for use in explosive atmospheres.



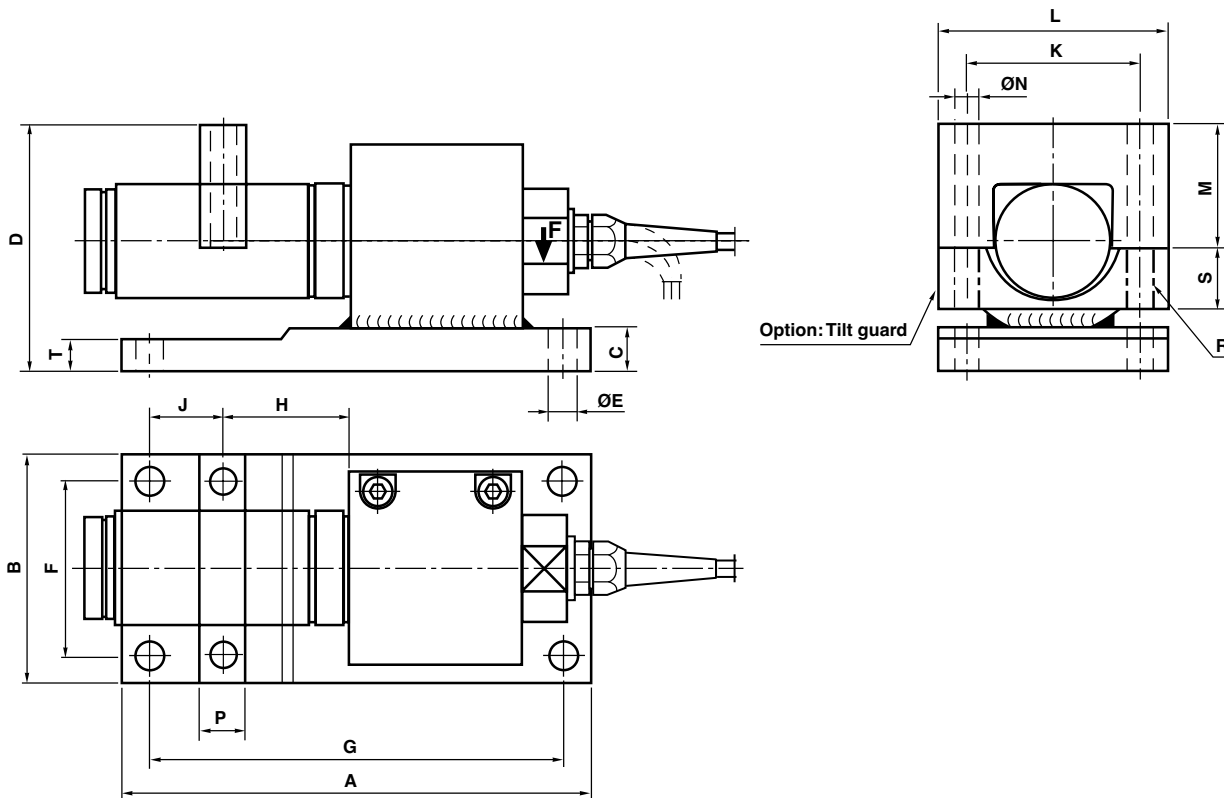
OUTLINE DIMENSIONS IN MM



RANGE kN	ØA	ØB	ØC	D	E	F	G	H	J	K	L	ØM	N	P	R	S	T
50	77	75	70	291	93	65	141.3	12	5	2.65	2.65	9.1	14	7	110	20	60
100	92	90	82	315	107	65	155.4	15	6	2.65	3.15	12.6	17	8	120	20	70
125	92	90	82	315	107	65	155.4	15	6	2.65	3.15	12.6	17	8	120	20	70

Weigh Module

OUTLINE DIMENSIONS IN MM Cont.



RANGE kN	A	B	C	D	ØE	F	G	H	J	K	L	M	ØN	P	T	R	S
50	280	150	30	152	16	115	245	65	45.5	115	150	72	18	30	30	M16 M16	43
100	310	170	40	173	22	130	270	65	63	126	160	85	22	40	26	M20 M20	50
125	310	170	40	173	22	130	270	65	63	126	160	85	22	40	26	M20 M20	50

Weigh Module

SPECIFICATIONS	
PARAMETER	VALUE
PERFORMANCE	
Rated load (RL)	50, 100, 125 kN
Combined error (terminal)	±0.02% RO
Repeatability	0.01% RO
Overload*, safe	100% RL
Overload*, ultimate	200% RL
Sideload*, safe	100% RL
Sideload*, ultimate	200% RL
Input voltage, recommended	10 VDC or VAC
Input voltage, maximum	18 VDC or VAC
Input resistance	350 Ω ±3 Ω
Output resistance	350 Ω ±0.5 Ω
Rated output (RO)	1.020 mV/V
Tolerance of RO	±0.1% RO
Zero balance	±1% RO
Tolerance of shunt calibration values	±0.1% of value; actual output defined on unit calibration sheet
Creep at RL after 30 minutes	±0.04% RL
Temperature range	-40 to +80°C -40 to +100°C on demand
Temperature effect, on output (-10°C to +50°C)	±0.0010% of output/°C
Temperature effect, on zero balance (-10°C to +50°C)	±0.0014% of RO/°C
Insulation resistance at 200 VDC	>4 GΩ
Material: load cell	Stainless steel
Material: bracket and yoke	Yellow chromate steel, stainless steel as an option
Electrical connection	10 m shielded four conductor cable
Degree of protection	IP67
APPROVALS	
ATEX and IECEx certified versions are available upon request. For details contact blhnobel@vpgsensors.com.	

* Referring to recommended loading case

BLH Nobel is continually seeking to improve product quality and performance. Specifications may change accordingly.