

Weigh Module

FEATURES

- Suitable for load and level monitoring in storage tanks
- Rugged design
- ATEX and IECEx approved
- Easy installation

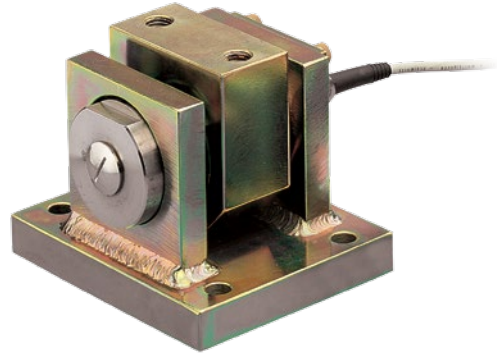
APPLICATIONS

- Process weighing
- Level monitoring

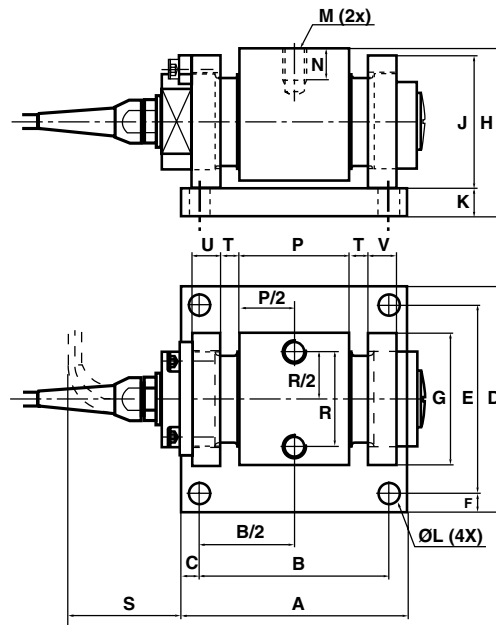
DESCRIPTION

The KOM-1 weigh module has an accuracy, which makes it especially suitable for load and level monitoring in storage tanks.

The sensing element consists of three sections. The two outer sections constitute supports and rest on the built-in block, which is secured to the base. On the middle section, which is the load sensing part, there is a yoke to which the leg of the tank is secured. The sensor is efficiently locked so that it cannot twist in the built-in block.

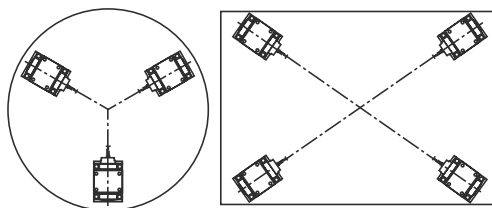


OUTLINE DIMENSIONS



RANGE kN (lb)	A	B	C	D	E	F	G	H±1	J	K ⁰ ₋₁	ØL	M	N	P	R	S	T	U ⁰ ₋₁	V ⁰ ₋₁
10-20-50	120	100	10	120	100	10	70	89	70	15	11	M12	18	33	50	47	10	15	15
100	120	100	10	120	100	10	70	89	70	15	11	M12	18	48	50	60	10	20	20
200	140	90	25	170	140	15	100	135	100	24	14	M16	28	48	70	50	10	30	20
500	250	200	25	250	200	25	160	190	150	28	22	M24	40	24	110	0	15	28	28

Weigh Module

INSTALLATION EXAMPLES

SPECIFICATIONS

PARAMETER	
Rated load (RL)	10, 20, 50, 100, 200, 500 kN
Combined error (terminal)	±0,25% RO (±0,5% RO 500 kN)
Repeatability	0.25% RO
Overload,* safe	100% RL
Overload,* ultimate	200% RL
Input voltage, recommended	10 VDC or VAC
Input voltage, maximum	18 VDC or VAC
Input resistance	350 Ω ±5 Ω
Output resistance	350 Ω ±5 Ω
Rated output (RO)	1 mV/V
Zero balance	±5% RO
Tolerance of shunt calibration values	±1% of value (actual output listed on unit calibration sheet)
Temperature range	-40 to +80°C -40 to +100°C upon request
Temperature effect on output	±0.04% of output/°C
Temperature effect on zero balance	±0.04% of RO/°C
Insulation resistance at 200V DC	>4 GΩ
Material, load cell	Stainless steel
Material, built-in block	Yellow chromate steel, stainless on request
Electrical connection	5 m shielded four conductor cable 10, 20, 50 kN 10 m shielded four conductor cable 100, 200, 500 kN
Degree of protection	IP67
APPROVALS	
ATEX, IECEx certified versions are available upon request. For details contact blhnobel@vpgsensors.com.	

* Referring to recommended loading point

BLH Nobel is continually seeking to improve product quality and performance. Specifications may change accordingly.