

## Double Ended Shear Beam

### FEATURES

- Capacity 50 t, 100 t, 150 t and 200 t
- Other capacities on request
- Low profile
- High long-term stability and repeatability
- Operating temperature range  $-40$  to  $+150^{\circ}\text{C}$
- Connection through a connector
- 15 m special cable with connector for direct connecting to the load cell
- Zinc-plated steel
- 6-wire circuit (6 + 2 wires with option temperature monitoring)
- IP67
- **OPTIONS**

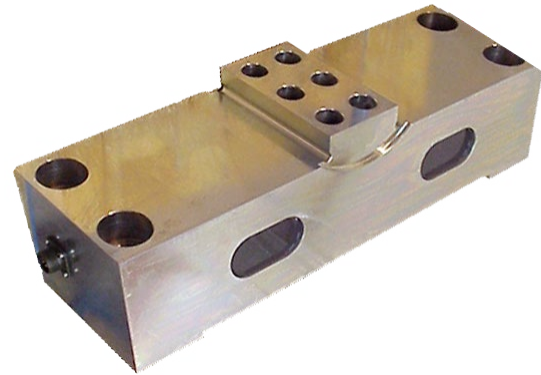
- Temperature monitoring via integrated temperature sensor (2-wire circuit)
- Indicator which changes the color if a too high temperature as reached

### APPLICATIONS

- Silo and hopper weighing
- Tundish weighing
- Various applications in steel mills and foundries
- Industrial applications

### DESCRIPTION

The model DSA-R is a low profile double shear beam load cell, ideally suited for applications in harsh environments.



Due to the special design, the DSA-R load cell is insensitive against side loading and other interfering effects.

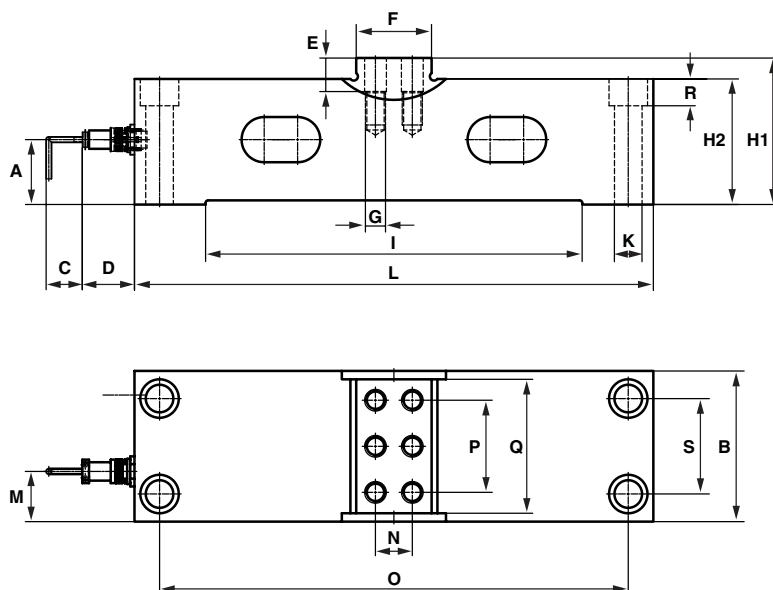
Because of the high operating temperature range of  $-40$  up to  $+150^{\circ}\text{C}$ , the DSA-R load cell is suitable for use in steel mills and foundries.

Very easy to maintain—cable will be connected via plug-and-socket connection.

Due to the high repeatability and high long-term stability, the load cell supplies very good results, even after perennial use.

IP67 gives an excellent protection against dust and moisture.

### OUTLINE DIMENSIONS IN MILLIMETERS



Dim.	50t	100t	150t	200t
A	45	54	66	75
B	120	140	160	180
C	$\geq 40$	$\geq 40$	$\geq 40$	$\geq 40$
D	120	120	120	120
E	32	38	38	40
F	80	90	90	90
G	M20x30	M24x36	M24x36	M24x40
H1	130	143	158	175
H2	105	118	133	150
I	340	370	410	450
K	26	30	33	33
L	450	500	560	620
M	57	62	69	76
N	40	44	44	44
O	398	444	500	560
P	75	90	102	110
Q	110	130	150	160
R	26	29	32	32
S	68	80	94	114

Double Ended Shear Beam

SPECIFICATIONS				
PARAMETER	VALUE			
Rated capacity (RC)	50 t	100 t	150 t	200 t
Rated output (C)	1.0 mV/V			
Total error	±0.1% of C			
Creeping (30 min)	±0.05% of C			
Temperature effect: on zero	±0.005% of C/°C			
Temperature effect: on output	±0.003% of C/°C			
Nominal temperature range	-10 to +100°C			
Operating temperature range	-40 to +150°C			
Storage temperature range	-50 to +180°C			
Safe overload	100% RC			
Ultimate overload	>350% RC			
Maximum admissible side load	100% RC			
Recommended excitation	10 VDC or VAC			
Maximym supply voltage	36 VDC or VAC			
Input impedance	750 Ω ±15 Ω			
Output impedance	700 Ω ±10 Ω			
Insulation impedance	>2000 MΩ			
Construction	steel, zinc-plated			
Weight	40 kg	56 kg	87 kg	119 kg
Environmental protection	IP67			

BLH Nobel is continually seeking to improve product quality and performance. Specifications may change accordingly.