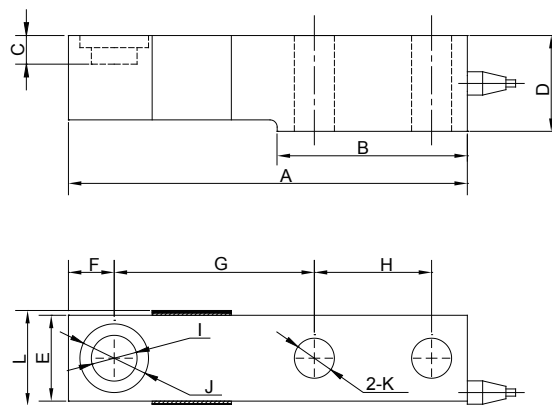
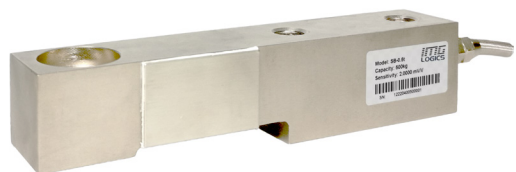


SB

Single-Ended Beam Load Cells



Specifications

Rated Output(mV/V):
2.0±0.002

Nonlinearity:
±0.02%FS

Creep(30min.):
±0.02%FS

Insulation Resistance:
≥5000M ohms

Temperature:
Compensated Range
-10°C~+40°C

Temp. Effect on Zero:
≤0.002%FS/°C

Zero Balance:
±1%FS

Hysteresis:
±0.02%FS

Input Resistance:
381±4 ohms

Excitation Voltage:
5~15V DC(20V MAX)

Temperature:
Operating Range
-40°C~+65°C

Temp. Effect on Output:
≤0.002%FS/°C

Safe Overload:
150%

Repeatability:
±0.01%FS

Output Resistance:
350±1 ohms

Material:
Alloy Steel

Cable Length:
4m/5m/6m/10m

IP Class:
IP67

Cable Color Code:
Green..... + EXC
Black..... - EXC
White..... + SIG
Red..... - SIG
Yellow..... + SEN
Blue..... - SEN

Dimensions

RATED CAPACITY	A	B	C	D	E	F	G	H	I	J	K	L
t/mm												
0.3~2	203	95	30.4	43	36.5	22	98	64	Ø16	Ø32	Ø13	43.5
3	203	95	30.4	43	36.5	22	98	64	Ø16	Ø32	Ø15	43.5
5	235	110	30	52	47.5	22	124	66	Ø22	Ø38	Ø20	54.5
10	279	133	20	67	60	32	140	82.5	Ø32	Ø48	Ø28	60
15~20	318	153	24	82.5	70	38	159	89	Ø38	Ø54	Ø34	78

Order Information

LOAD RATING	
SB-0.3t	SB-0.5t
SB-1t	SB-2t
SB-3t	SB-5t
SB-10t	SB-15t
SB-20t	

Interchangeable Products

MANUFACTURER	MODEL
METTLER TOLEDO	SB
TRANSCELL	SBT/SB