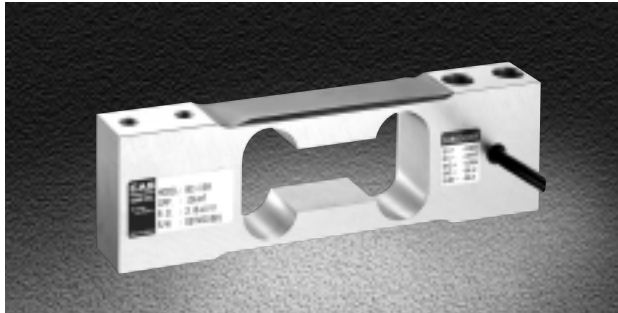


BC single point load cell, 3kgf - 30kgf

Load Cell



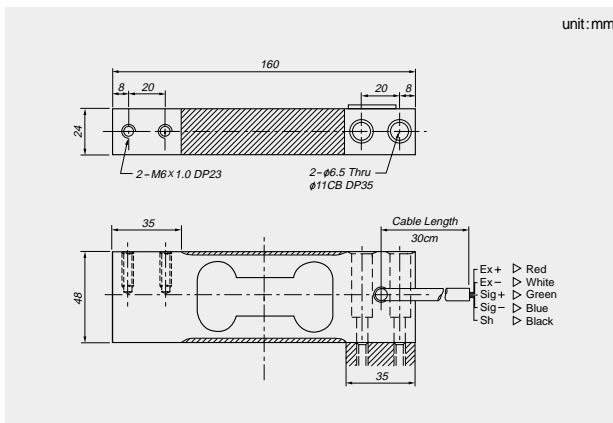
FEATURES

- Low cost
- Off center compensated
- Protection class IP65

SPECIFICATIONS

Max. capacity	kgf	3, 5, 15, 30
Rated output	mV/V	3~5kgf : 1.0(Approx.)/15~30kgf : 1.2(Approx.)
Zero balance	mV/V	0 ± 0.06
Combined error	%	0.03
Repeatability	%	0.01
Creep for 30min.	%	0.03
Temperature effect on		
Zero Value	%/10°C	0.028
Output value	%/10°C	0.015
Excitation		
Recommended	V	10
Maximum	V	15
Resistance		
Input	Ω	420 ± 20
Output	Ω	350 ± 3.5
Insulation	MΩ	> 2,000
Compensated temperature range	°C	-10 to +40
Operating temperature range	°C	-20 to +70

DIMENSIONS



Material

Anodized Aluminum

Mounting

Socket-head cap screw M6 × 1.0(10.9)
 Tightening torque: 12.2Nm

Cable

Braided Shield 4-wire round cable
 with PVC-Jacket

Maximum Platform Size

400 × 400mm (W × L)

Ordering Information

BC - XXXL

Capacity in kg

