

## Model OBBA Series

Bending Beam Load Cell (10kg ~ 300kg)

The OBBA series single ended bending beam load cell is designed for tension or compression loading applications including hopper scale and conveyor weighing.

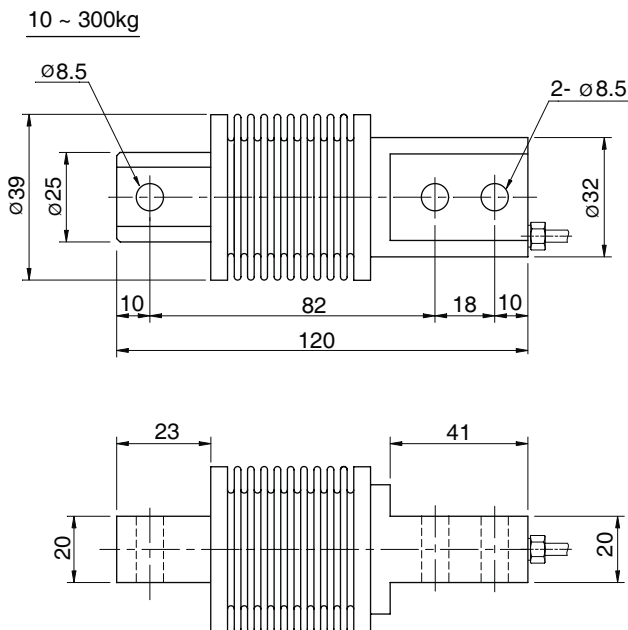


- 17-4PH stainless steel construction for high accuracy and corrosion resistance.

- Fully welded seal with stainless steel bellows for hostile environments and washdown applications.

### SPECIFICATIONS

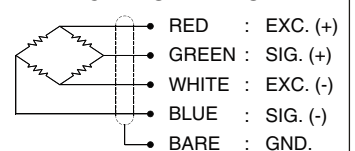
MODEL	OBBA
Rated capacity (R.C.)	10, 20, 50, 100, 200, 300kg
Rated output (R.O.)	2mV/V ± 0.3%
Non-linearity	≤ 0.03% R.O.
Hysteresis	≤ 0.02% R.O.
Non-repeatability	≤ 0.02% R.O.
Creep error	≤ 0.03% in 20min.
Zero balance	≤ 1% R.O.
Compensated temperature range	-10 ~ 70°C
Operating temperature range	-20 ~ 80°C
Temp. effect on rated output	≤ 0.02% LOAD/10°C
Temp. effect on zero balance	≤ 0.02% R.O./10°C
Terminal input resistance	400 Ohms ±20 Ohms
Terminal output resistance	350 Ohms ±5 Ohms
Insulation resistance (Min.)	2000 MOhms at 50V DC
Excitation Voltage	10V(Recommended), 15V(Maximum)
Electrical connection	∅5mmx3m(22AWG x 4Core Shielded)
Protection class	meets IP 68
Safe overload	150% R.C
Ultimate overload	300% R.C



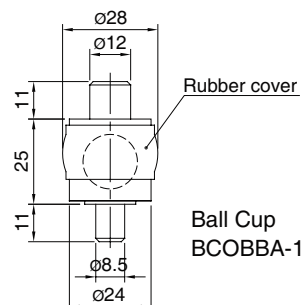
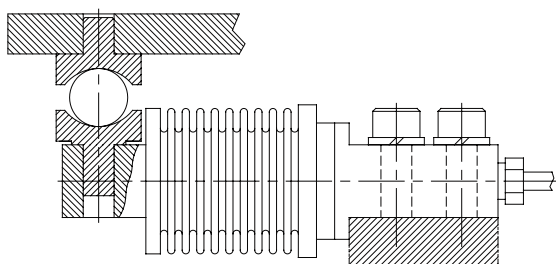
### ORDERING INFORMATION

<b>OBBA</b>	-	<b>50</b>
MODEL		CAPACITY
OBBA		10, 20, 50, 100kg
		200, 300kg

### WIRING INFORMATION



### Installation



Specifications are subject to change without notice

JAN, 2010