

Model OSBH Series Shear Beam Load Cell (200kg ~ 10t)

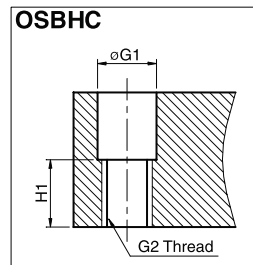
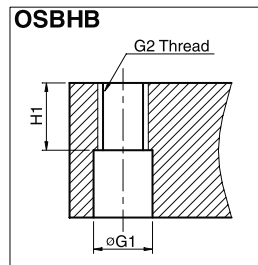
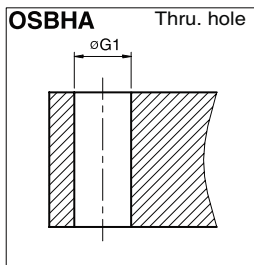
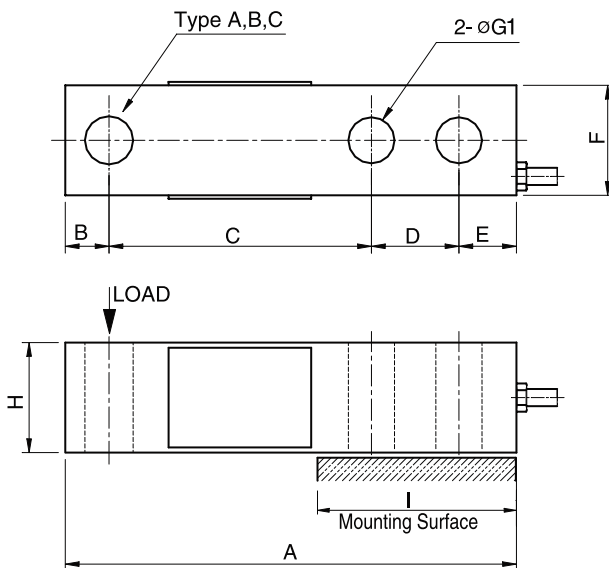


The OSBH series single ended shear beam load cell is designed for high accuracy platform scales and a variety of process weighing applications.

- Alloy tool steel construction for high accuracy.
- Electroless nickel plated for corrosion resistance.
- Fully sealed to IP67.

SPECIFICATIONS

| MODEL | OSBHA, OSBHB, OSBHC |
|-------------------------------|--|
| Rated capacity (R.C.) | 200, 500kg, 1, 2, 3, 5, 10 t 0.5, 1, 2, 4, 5, 10, 20klb |
| Rated output(R.O.) | 3mV/V ± 0.25% |
| Non-linearity | ≤0.03% R.O. |
| Hysteresis | ≤0.02% R.O. |
| Non-repeatability | ≤0.02% R.O. |
| Creep error | ≤0.03% in 20min. |
| Zero balance | ≤1% R.O. |
| Compensated temperature range | -10 ~ 70°C |
| Operating temperature range | -20 ~ 80°C |
| Temp. effect on rated output | ≤0.03% LOAD/10°C |
| Temp. effect on zero balance | ≤0.03% R.O./10°C |
| Terminal input resistance | 400 Ohms ± 20 Ohms |
| Terminal output resistance | 350 Ohms ± 5 Ohms |
| Insulation resistance (Min.) | 2000 MOhms at 50V DC |
| Excitation voltage | 10V(Recommended), 15V(Max.) |
| Electrical connection | 200kg ~ 2t Ø5mmx3m(Standard), 6m(Option) (22AWG x 4Core Shielded) 3, 5t(10t) Ø5mmx6m(Ø7mmx6m) |
| Protection class | meets IP 67 |
| Safe overload | 150% R.C |
| Ultimate overload | 300% R.C |

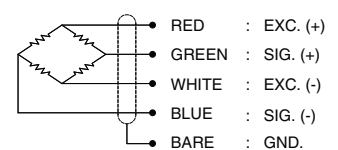


ORDERING INFORMATION

OSBHA - 2T

| MODEL | CAPACITY |
|-------|------------------------------|
| OSBHA | 200, 500kg, 1, 2, 3, 5, 10 t |
| OSBHB | 0.5, 1, 2, 4, 5, 10, 20 klbs |
| OSBHC | |

WIRING INFORMATION



Dimension-mm(inch)

| Capacity | A | B | C | D | E | F | G1 | G2 | H | H1 | I | Weight |
|--------------------------------|--------|--------|--------|--------|--------|--------|--------|--------------|--------|--------|--------|--------|
| 200kg ~ 2t (1.961~19.61kN) | 131 | 12.7 | 76.2 | 25.4 | 16.7 | 32 | 13.5 | M12x1.75P | 32 | 16 | 57 | 0.8 |
| 3, 5t (29.42~49.03kN) | 171.5 | 19 | 95.3 | 38.1 | 19.1 | 38.1 | 20.5 | M20x2.5P | 38 | 19 | 76.2 | 1.8 |
| 10t (98.07kN) | 222.3 | 25.4 | 120.7 | 50.8 | 25.4 | 50.8 | 26.2 | M24x2P | 50.8 | 25 | 108 | 4.1 |
| 0.5k~4k lbs (2.224~17.79kN) | (5.15) | (0.50) | (3.00) | (1.00) | (0.65) | (1.25) | (0.53) | 1/2" -20 UNF | (1.25) | (0.62) | (2.24) | (1.7) |
| 5k, 10k lbs (22.24~44.48kN) | (6.75) | (0.75) | (3.75) | (1.50) | (0.75) | (1.50) | (0.78) | 3/4" -16 UNF | (1.50) | (0.74) | (3.0) | (4.0) |
| 20k lbs (88.97kN) | (8.75) | (1.00) | (4.75) | (2.00) | (1.00) | (2.00) | (1.02) | 1" -14 UNF | (2.00) | (0.98) | (4.25) | (9.0) |

* Specifications are subject to change without notice

JAN, 2010