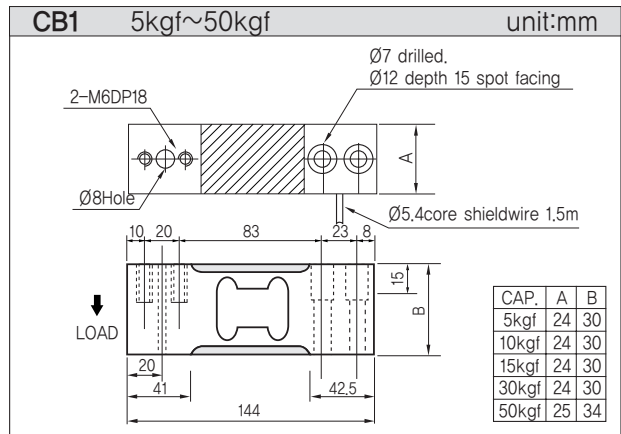
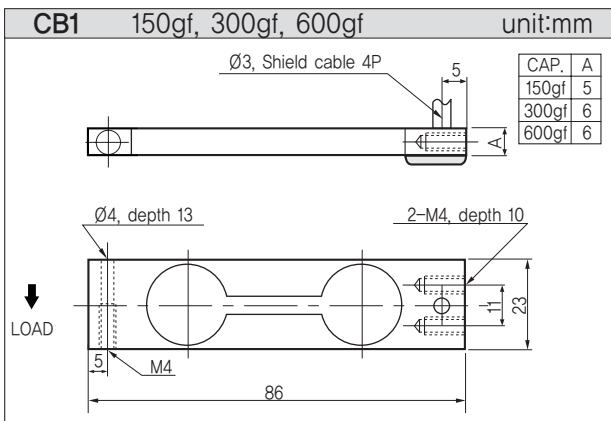
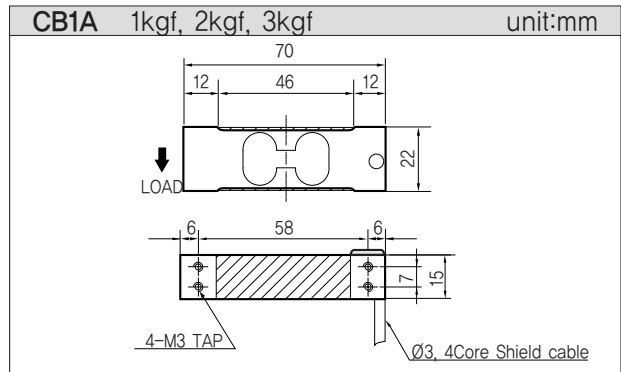
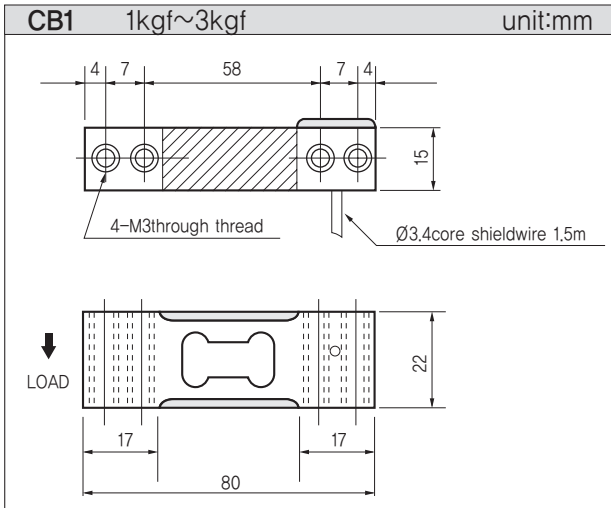
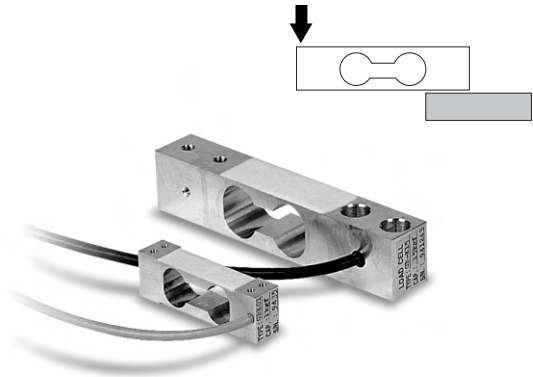


BENDING BEAM LOAD CELLS

> Model CB1, CB1A

This strain gage load cell has developed newly as a electronic "Scale" for commercial purpose, with the charatistics of high accuracy and low price. Compared with another mechanical means, this load cell provides small displacement. Due to electronic output, it is easy to treat various treatment. Protection Class IP65



> SPECIFICATIONS

Specifications	150gf, 300gf, 600gf (1.470N, 2.942N, 5.884N)	Accuracy 1, 2, 3kgf (9.807N, 19.61N, 29.42N)	5, 10, 15, 30, 50kgf (49.03N, 98.07N, 147.1N, 294.2N, 490.3N)
Rated capacity(R,C)	150gf, 300gf, 600gf (1.470N, 2.942N, 5.884N)	1, 2, 3kgf (9.807N, 19.61N, 29.42N)	5, 10, 15, 30, 50kgf (49.03N, 98.07N, 147.1N, 294.2N, 490.3N)
Rated output(R,O)	1.2mV/V±1%	1mV/V±1%	1.5mV/V±1%
Nonlinearity	0.02% R.O.	0.02% R.O.	0.02% R.O.
Hysteresis	0.02% R.O.	0.02% R.O.	0.02% R.O.
Repeatability	0.02% R.O.	0.02% R.O.	0.02% R.O.
Creep	0.03% R.O./20MIN	0.03% R.O./20MIN	0.02% R.O./20MIN
Zero balance	±5% R.O.	±5% R.O.	±5% R.O.
Terminal resistance, input	420±30Ω	420±30Ω	420±30Ω
Terminal resistance, output	350±2Ω	350±2Ω	350±2Ω
Insulation resistance	2000MΩ	2000MΩ	2000MΩ
Temperature range, compensated	0~+40°C	-10~+50°C	-10~+50°C
Temperature range, safe	-10~+50°C	-10~+50°C	-10~+50°C
Temperature effect, on zero balance	0.03% R.O./10°C	0.03% R.O./10°C	0.03% R.O./10°C
Temperature effect, on rated output	0.02% LOAD/10°C	0.02% LOAD/10°C	0.02% LOAD/10°C
Excitation recommended	10V DC	10V DC	10V DC
Safe overload	150% R.C.	150% R.C.	150% R.C.
Cable length	Ø3, CORE SHIELD CABLE, 1.5m	Ø3, CORE SHIELD CABLE, 1.5m	Ø5, CORE SHIELD CABLE 1.5m
Allowable maximum Platform size	Ø80	200 X 200mm	300 X 300mm
Weight	200g	300g	400g
Wiring Information	EXC+ : RED, EXC- : White, SIG+ : Black, SIG- : Green		

★Specifications are subject to change without notice.