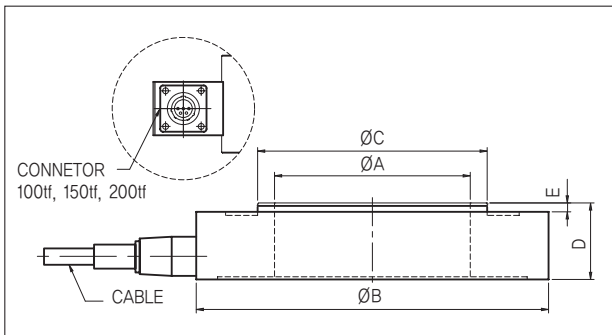
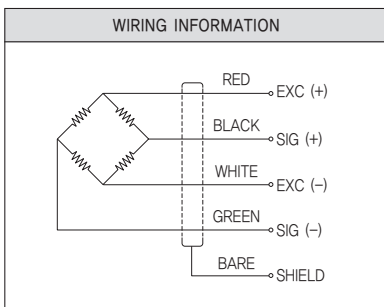
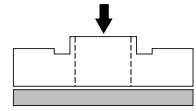


SLIM HOLLOW TYPE LOAD CELL

> Model CWW

These load cells are extremely Slim and lightweight.
 Easy installation with hole in center.
 Designed for use in civil engineering measurement, these loads on tunnel supports and soil pressure on protective Walls to aid control in construction projects.
 Protection Class IP66



> DIMENSIONS TABLE

unit:mm

Capacity	ØA	ØB	ØC	D	E	Weight(kg)
50kgf	10	55	22	15	2	2
100kgf	10	55	22	15	2	
200kgf	10	55	22	15	2	
500kgf	10	55	22	15	2	
1tf	12	68	28	20	1.5	2.5
2tf	12	68	28	20	1.5	
3tf	12	68	28	20	1.5	
5tf	12	68	28	20	1.5	3
10tf	50	148	80	37	5	
20tf	70	155	99	43	5	
30tf	70	155	99	43	5	
50tf	70	155	99	43	5	6
100tf	110	198	129	43	5	8
150tf	165	278	200	50	8	20
200tf	170	308	212	65	10	27

> SPECIFICATIONS

Specifications	Accuracy
Rated capacity(R.C.)	50kgf, 100kgf, 200kgf, 500kgf, 1tf, 2tf, 3tf, 5tf,10tf, 20tf, 30tf, 50tf, 100tf, 150tf, 200tf (490.3N, 980.7N, 1.961kN, 4.903kN, 9.807kN, 19.61kN, 29.42kN, 49.03kN, 98.07kN, 196.1kN, 490.3kN, 980.7kN, 1.961MN)
Rated output(R.O.)	1.5mV/V±0.4%
Nonlinearity	1% of R.O.
Repeatability	0.5% of R.O.
Zero balance	0.5% of R.O.
Terminal resistance input	700±10Ω
Terminal resistance output	700±5Ω
Insulation resistance	2000MΩ
Temperature range, compensated	-10~60°C
Temperature range, Safe	-20~80°C
Temperature effect, on zero balance	0.1% R.O./10°C
Temperature effect, on rated output	0.05% LOAD/10°C
Excitation recommended	10V
Safe overload	150% R.C.
Cable length	50kgf~5tf Ø5mm 4core, 3m / 10~200tf Ø7mm 4core, 3m

★Specifications are subject to change without notice.