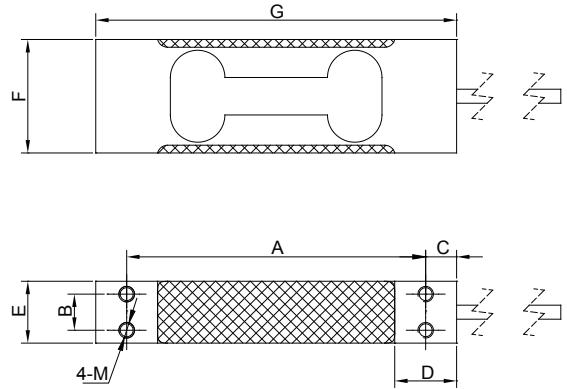


F1006

Single Point Load Cells



Specifications

Rated Output(mV/V):

1.0±0.1/2.0±0.2

Nonlinearity:

±0.015%FS

Creep(30min.):

±0.0166%FS

Insulation Resistance:

≥5000M ohms

Temperature:

Compensated Range

-10℃~+40℃

Temp. Effect on Zero:

≤0.02%FS/℃

Zero Balance:

±2%FS

Hysteresis:

±0.015%FS

Input Resistance:

380±40 ohms

Excitation Voltage:

5~15V DC(20V MAX)

Temperature:

Operating Range

-25℃~+70℃

Temp. Effect on Output:

≤0.017%FS/℃

Safe Overload:

150%

Repeatability:

±0.015%FS

Output Resistance:

380±40 ohms

Material:

Aluminum alloy

Cable Length:

0.4m

IP Class:

IP65

Cable Color Code:

Blue..... +EXC

Black..... - EXC

White..... +SIG

Red..... - SIG

Dimensions

RATED CAPACITY	A	B	C	D	E	F	G	M
kg/mm								
0.3~1	58	7	6	12	12 (or 15)	22	70	M3
2~5	58	7	6	12	15	22	70	M3

Order Information

LOAD RATING	
F1006-300g	F1006-600g
F1006-1kg	F1006-2kg
F1006-3kg	F1006-5kg

Interchangeable Products

MANUFACTURER	MODEL
VISHAY Celtron	LPS
Minebea	CB17-11
Tedea-Huntleigh	1006