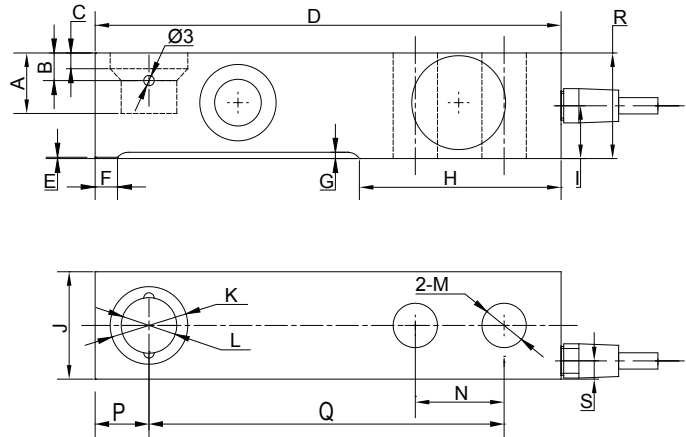


SBA

Single-Ended Beam Load Cells



Specifications

Rated Output(mV/V): 1.94±0.002	Zero Balance: ±1%FS	Safe Overload: 150%	Cable Length: 3m/5m/10m
Nonlinearity: ±0.018%FS	Hysteresis: ±0.018%FS	Repeatability: ±0.01%FS	IP Class: IP68
Creep(30min.): ±0.02%FS	Input Resistance: 384±10 ohms	Output Resistance: 350±1 ohms	Cable Color Code: Green..... + EXC
Insulation Resistance: ≥5000M ohms	Excitation Voltage: 5~15V DC(20V MAX)	Material: Stainless steel	Black..... - EXC
Temperature: Compensated Range -10°C~+40°C	Temperature: Operating Range -40°C~+65°C		White..... + SIG
Temp. Effect on Zero: ≤0.002%FS/°C	Temp. Effect on Output: ≤0.0009%FS/°C		Red..... - SIG

Dimensions

RATED CAPACITY	A	B	C	D	E	F	G	H	I	J	K	L
kg/mm												
220~1100	17.3	7.9	4.5	133.4	0.38	6.4	1.8	57.7	16	30.7	Ø22.2	Ø15.9
2200	22.9	12.7	9.2	136.7	2.5	-	2.5	57.9	19.6	36.8	Ø22.2	Ø15.9
4400	29.3	17.8	10.8	171.5	2.4	-	2.4	73.8	22.6	42.9	Ø34.9	Ø22.2

RATED CAPACITY	M	N	P	Q	R	S
kg/mm						
220~1100	Ø13	25.4	15.4	101.6	30.2	5.2
2200	Ø13	25.4	18.4	101.6	36.6	5.8
4400	Ø19.3	38.1	21.4	133.3	42.9	6.4

Order Information

LOAD RATING	
SBA-220kg	SBA-550kg
SBA-1.1t	SBA-2.2t
SBA-4.4t	

Interchangeable Products

MANUFACTURER	MODEL
METTLER TOLEDO	0745A