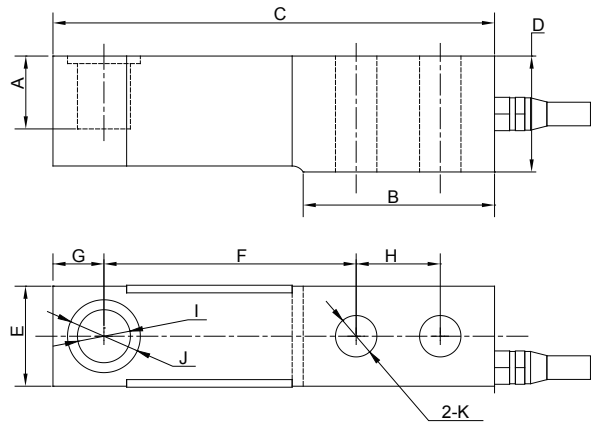
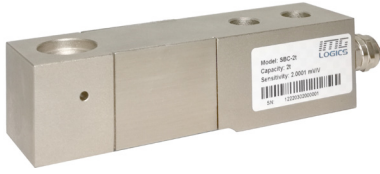


SBC

Single-Ended Beam Load Cells



Specifications

Rated Output(mV/V): 2.0±0.002	Zero Balance: ±1%FS	Safe Overload: 150%	Cable Length: 3m
Nonlinearity: ±0.02%FS	Hysteresis: ±0.02%FS	Repeatability: ±0.01%FS	IP Class: IP67
Creep(30min.): ±0.02%FS	Input Resistance: 384±4 ohms	Output Resistance: 350±1 ohms	Cable Color Code: Green..... + EXC
Insulation Resistance: ≥5000M ohms	Excitation Voltage: 5~15V DC(20V MAX)	Material: Alloy Steel	Black..... - EXC
Temperature: Compensated Range -10°C~+40°C	Temperature: Operating Range -40°C~+65°C		White..... + SIG
Temp. Effect on Zero: ≤0.002%FS/°C	Temp. Effect on Output: ≤0.002%FS/°C		Red..... - SIG

Dimensions

RATED CAPACITY	A	B	C	D	E	F	G	H	I	J	K
t/mm											
0.5	22	57.8	133.4	35	30.2	76.2	15.4	25.4	Ø16	Ø22	Ø12.5
1	23.7	58.2	137	36.6	36.6	76.2	18.4	25.4	Ø16	Ø22	Ø12.5
2	23	58.2	137	36.6	36.6	76.2	18.4	25.4	Ø16	Ø22	Ø12.5
3	23	58.2	137	36.6	36.6	76.2	18.4	25.4	Ø16	Ø22	Ø14.7

Order Information

LOAD RATING	
SBC-0.5t	SBC-1t
SBC-2t	SBC-3t

Interchangeable Products

MANUFACTURER	MODEL
METTLER TOLEDO	SBC