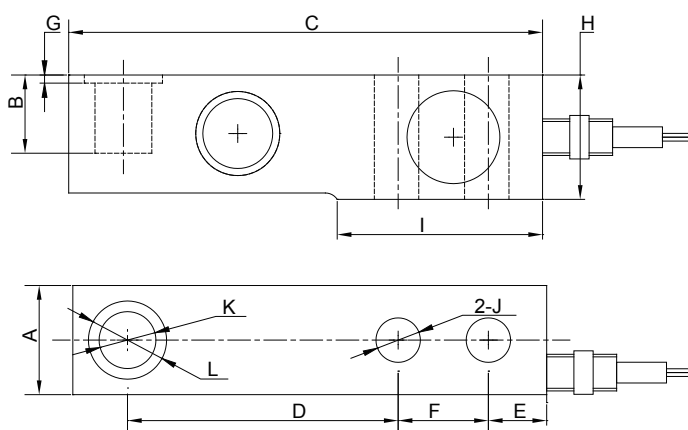


SBH

Single-Ended Beam Load Cells



Specifications

Rated Output(mV/V):
2.0±0.002

Nonlinearity:
±0.02%FS

Creep(30min.):
±0.02%FS

Insulation Resistance:
≥5000M ohms

Temperature:
Compensated Range
-10°C~+40°C

Temp. Effect on Zero:
≤0.002%FS/°C

Zero Balance:
±1%FS

Hysteresis:
±0.02%FS

Input Resistance:
381±4 ohms

Excitation Voltage:
5~15V DC(20V MAX)

Temperature:
Operating Range
-40°C~+65°C

Temp. Effect on Output:
≤0.002%FS/°C

Safe Overload:
150%

Repeatability:
±0.01%FS

Output Resistance:
350±1 ohms

Material:
Stainless steel

Cable Length:
5m

IP Class:
IP68

Cable Color Code:
Green..... + EXC
Black..... - EXC
White..... + SIG
Red..... - SIG

Dimensions

RATED CAPACITY	A	B	C	D	E	F	G	H	I	J	K	L
kg/mm												
250~1000	30.7	17	133.4	76.2	16.4	25.4	4.8	30	57.9	Ø12.7	Ø15.9	Ø22
2000	36.8	23	136.7	76.2	16.7	25.4	9.5	36.6	57.9	Ø12.7	Ø15.9	Ø22
3000	39	23	139.7	79.2	16.7	25.4	9.5	36.6	57.9	Ø15	Ø15.9	Ø22
5000	42.9	29.4	171.5	95.2	16.7	38.1	11	43	73.8	Ø19	Ø22.2	Ø34.9

Order Information

LOAD RATING	
SBH-0.25t	SBH-0.5t
SBH-1t	SBH-2t
SBH-3t	SBH-5t

Interchangeable Products

MANUFACTURER	MODEL
METTLER TOLEDO	SBH