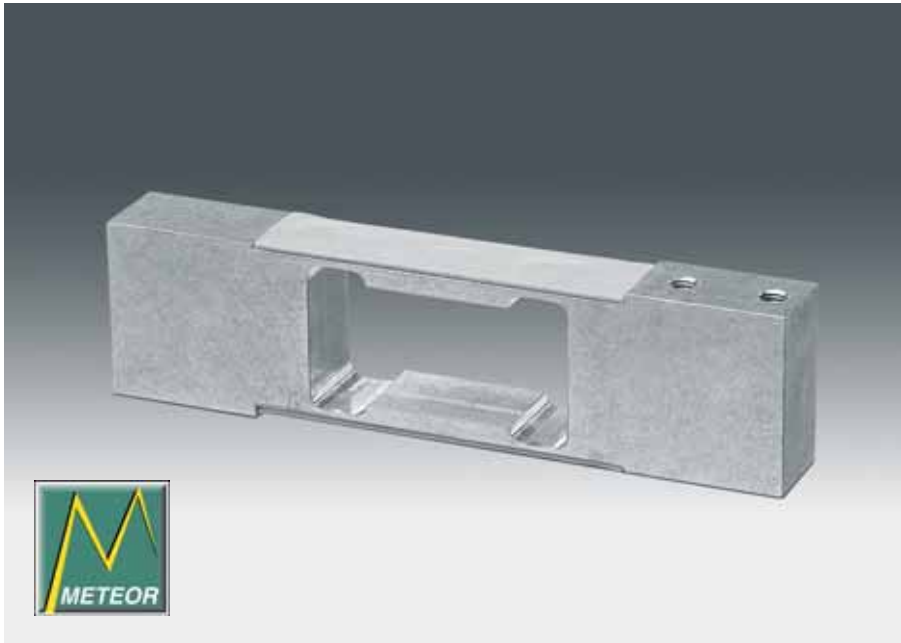




MP 71

Single Point Load Cell



5 kg ... 200 kg

- Aluminium alloy construction
- Compatible with other sources
- Single point 400 mm × 400 mm platform
- Approved according to OIML R60

Applications

- Bench Scales
- Counting Scales
- Check Weighing Systems

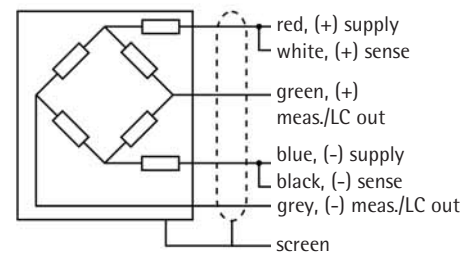
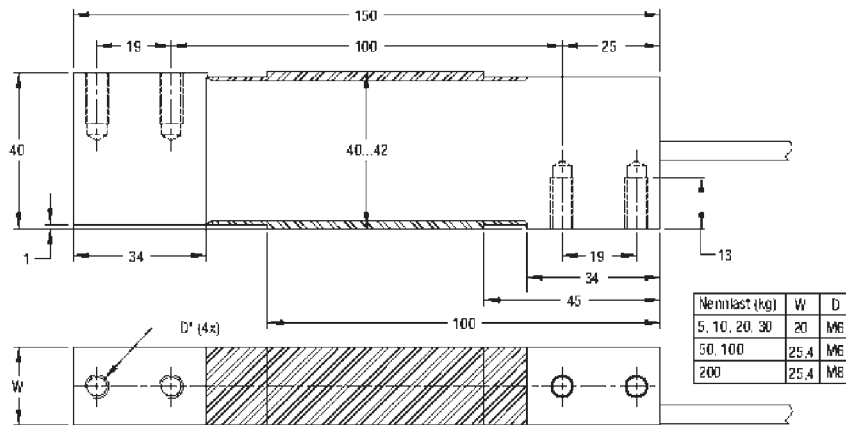
Technical Data		C3MR	
Accuracy class (Combined error)		0.020	% C _n
Maximum capacity	E _{max}	5 10 20 30 50 100 200	kg
Maximum usable load	E _u	150	% E _{max}
Destructive load	E _d	≥ 300	% E _{max}
Safe side load	E _{lq}	100	% E _{max}
Maximum number of LC intervals	n _{LC}	3,000	
Minimum LC verification interval v _{min} = E _{max} Y	Y	15,000	
Rated output	C _n	2.0	mV/V
Tolerance on rated output	D _c	≤ ± 10	% C _n
Zero output signal	S _{min}	≤ ± 5	% C _n
Creep, during 30 min.	d _{cr}	≤ ± 0.016	% C _n
Temperature effect on S _{min}	TK _{Smin}	≤ ± 0.009	% C _n / 10 K
Temperature effect on C	TK _C	≤ ± 0.010	% C _n / 10 K
Input impedance	R _{LC}	413 ± 20	Ω
Output impedance	R ₀	350 ± 25	Ω
Insulation impedance (100 V DC)	R _{IS}	≥ 5	GΩ
Recommended supply voltage	B _u	5 ... 15	V
Nominal ambient temperature range	B _f	-10 ... +40	°C
Usable ambient temperature range	B _{tu}	-20 ... +65	°C

Technical Data

C3MR

Nominal deflection	S_{nom}	0.56 ($E_{max} = 5$ kg); 0.46 ($E_{max} = 10$ kg); 0.39 ($E_{max} = 20$ kg); 0.38 ($E_{max} = 30$ kg); 0.37 ($E_{max} = 50$ kg); 0.39 ($E_{max} = 100$ kg); 0.48 ($E_{max} = 200$ kg)	mm
Cable length		1.5	m
Cable type		6 conductor TPE cable (AWG 26), shield grounded	
Sensor material		Aluminium	
Protection class (acc. to IEC 529)		IP67	

The technical data given here serve only as a product description and must not be interpreted as guaranteed characteristics in legal sense.



Dimensions in mm

Wiring diagram

Type	Order Number
MP 71/5kgC3MR	9408 271 07005
MP 71/10kgC3MR	9408 271 07010
MP 71/20kgC3MR	9408 271 07020
MP 71/30kgC3MR	9408 271 07030
MP 71/50kgC3MR	9408 271 07050
MP 71/100kgC3MR	9408 271 07110
MP 71/200kgC3MR	9408 271 07120

Certificate of Conformity

MP 71 (optional)

Ex-Zone 2, 22

II 3G Ex nA II T6

II 3D Ex tD A22 IP65 T85°C