

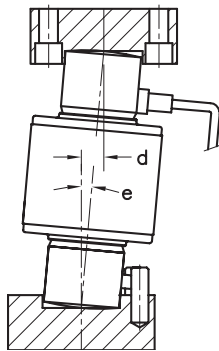
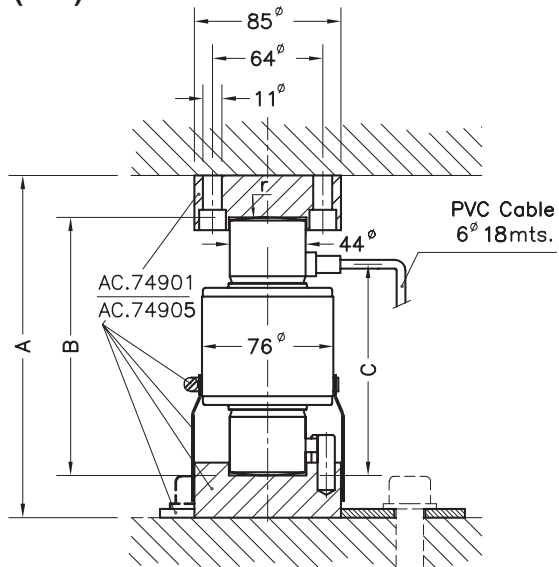
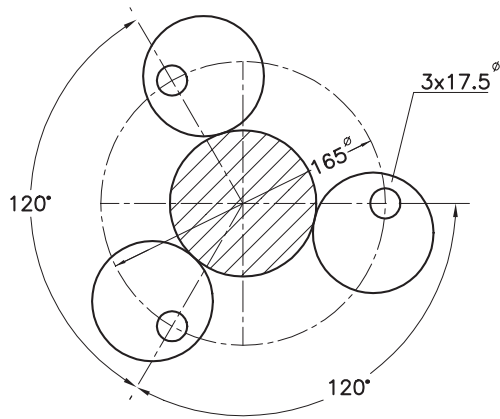


- Compression load cell, selfcentering column
- 4000 divisions OIML R60 class C
- Available in **ATEX**  version (optional)  
Zone 0-1-2 (gas) and 20-21-22 (dust)
- Simple to install
- Stainless Steel construction
- Hermetically welded, protection class  
IP 68 (EN 60529) and IP 69K (ISO 20653)
- Pre-corner adjustment optimized for multi-  
cell systems
- Lightning protection
- Applications: High capacity weighing  
systems, truck scales
- 压式传感器, 自复位弹性体
- 4000 分度 OIML R60 C级
- 防爆可选 **ATEX** 
- 安装简单
- 不锈钢制造
- 完全焊接密封, 防护等级IP68(EN 60529)  
和IP69K(ISO 20653)
- 对于使用多只传感器的系统, 易于调校
- 防雷击保护
- 应用范围: 大量程称量系统, 汽车衡

Model 型号	Nominal capacity 量程 Ln	Accuracy class 准确度等级 n. OIML	Minimum division 最小分度值 vmin	Safe load limit 安全载荷 150 % Ln	Breaking load 极限载荷 > 350 % Ln
740 15 t	15 t	4000	1.5 kg	22.5 t	> 52.5 t
740 20 t	20 t	4000	2 kg	30 t	> 70 t
740 25 t	25 t	4000	2.5 kg	37.5 t	> 87.5 t
740 30 t	30 t	4000	3 kg	45 t	> 105 t
740 40 t	40 t	4000	4 kg	60 t	> 140 t
740 50 t	50 t	4000	5 kg	75 t	> 175 t
740 60 t	60 t	4000	6 kg	90 t	> 210 t



**MODEL 740 + ACC. 74901 (15...50 t)**  
**ACC. 74905 (60 t)**

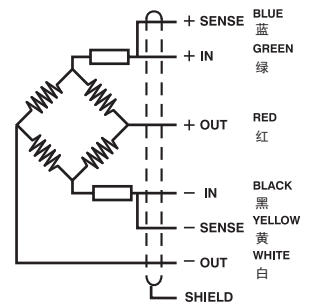


Load cells 称重传感器	A	B	C	d max.	e max. 最大倾角	半径 Ball r.	Transport Weight 重量
740 15 t	200	150	123	13	5°	130	2.5 kg
740 20 t	200	150	123	13	5°	130	2.5 kg
740 25 t	200	150	123	13	5°	150	2.6 kg
740 30 t	200	150	123	13	5°	160	2.6 kg
740 40 t	200	150	123	13	5°	180	2.8 kg
740 50 t	200	150	123	13	5°	180	2.9 kg
740 60 t	260	210	153	11	3°	220	3.8 kg
Acc. 74901	---	---	---	---	---	---	3 kg
Acc. 74905	---	---	---	---	---	---	3 kg

Dimensions in mm. 单位: mm

SPECIFICATIONS		技术条件	
Nominal capacities (Ln)	15-20-25-30-40-50-60	t	量程 (Ln)
Accuracy class	4000	n. OIML	准确度等级
Minimum dead load	0	%Ln	最小静载荷
Service load	120	%Ln	最大称量
Safe load limit	150	%Ln	安全载荷极限
Total error	< ±0.013	%Sn	综合误差
Repeatability error	< ±0.015	%Sn	重复性误差
Temperature effect: on zero	< ±0.01	%Sn/5°C	温度影响: 零点
on sensitivity	< ±0.006	%Sn/5°C	灵敏度
Creep error (30 minutes)	< ±0.012	%Sn	蠕变 (30分钟)
Temperature compensation	-10...+40	°C	温度补偿
Temperature limits	-50...+80	°C	温度极限
Nominal sensitivity (Sn)	2	mV/V (1)	灵敏度
Nominal input voltage	10	V	激励电压
Maximum input voltage	15	V	最大激励电压
Input impedance	800 ±5	Ω	输入阻抗
Output impedance	705 ±5	Ω	输出阻抗
No load output	±2	%Sn	空荷输出
Insulation resistance	> 5000	MΩ	绝缘电阻
Maximum deflection (at Ln)	0.6-1	mm	最大变形位移 (量程内)

**ELECTRICAL CONNECTION**  
 电气连接:

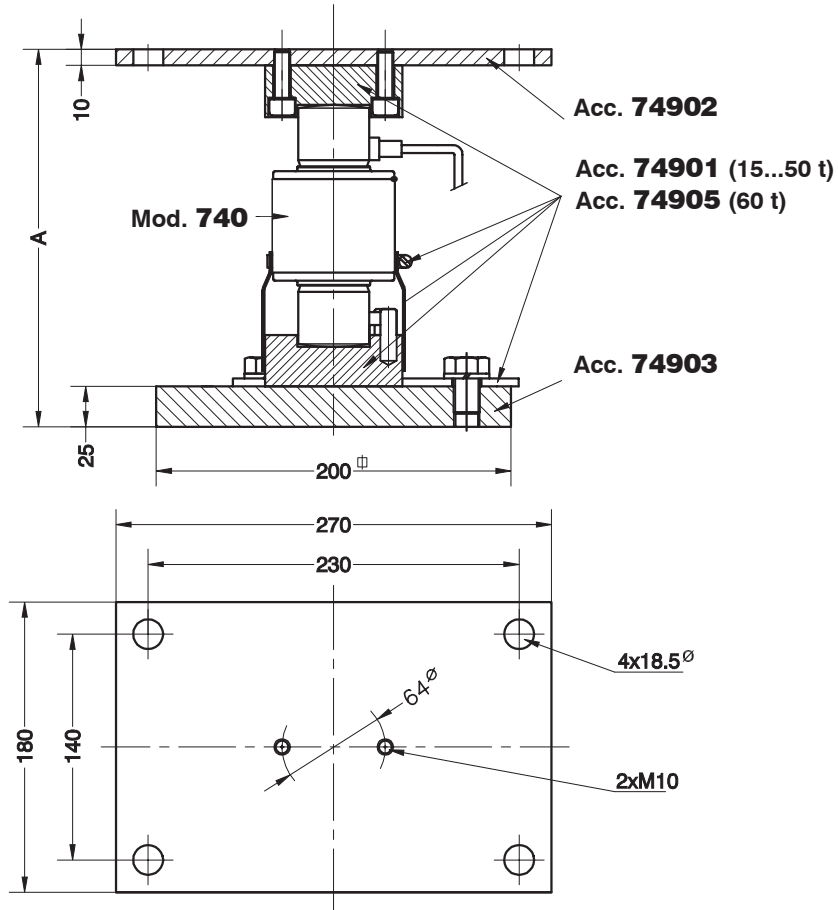


«SENSES»: 2 additional wires to maintain a constant voltage supply at the load cell when used with proper instrumentation. Use specially when long wires and wide temperature range.  
 SHIELD: Not connected to transducer body.

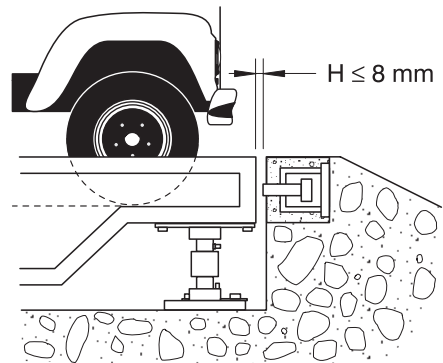
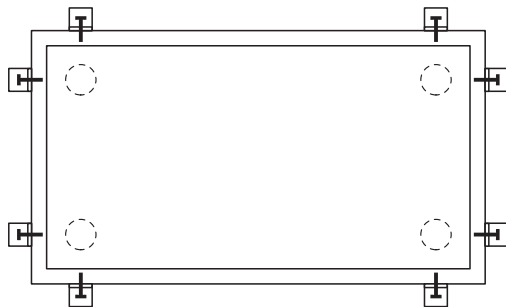
(感应): 传感器与仪表一起使用时, 增加两条感应线, 以保证传感器供桥电压的稳定; 电缆较长及温度范围较大时, 更应使用。  
 屏蔽: 不与传感器外壳连接。

(1) Pre-corner adjustment optimized at ±0.05% by output current calibration / 通过角差调整, 可优化±0.05%的电流输出

ACCESSORIES FOR MODEL 740 (15...60t)  
MOD.740(15...60t)安装附件

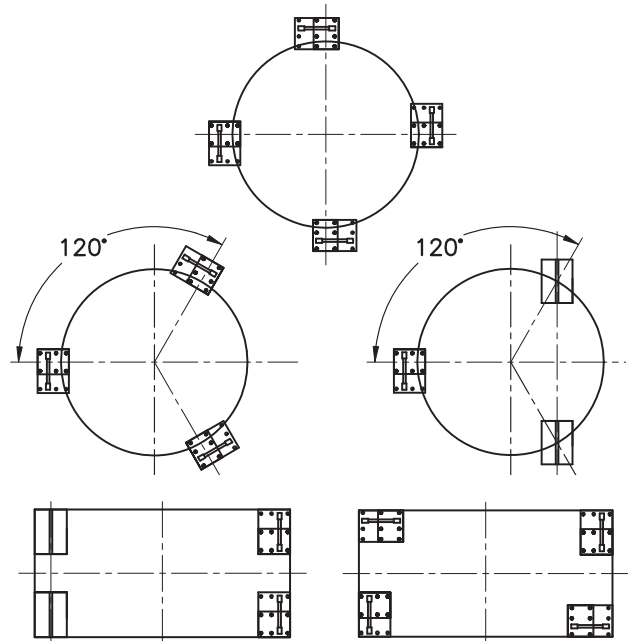
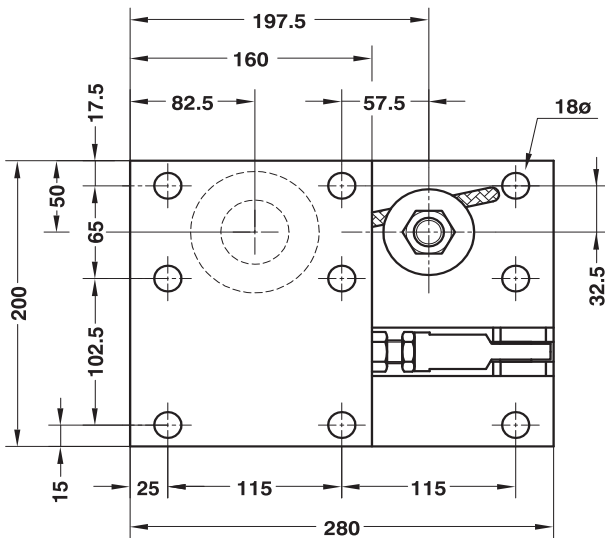
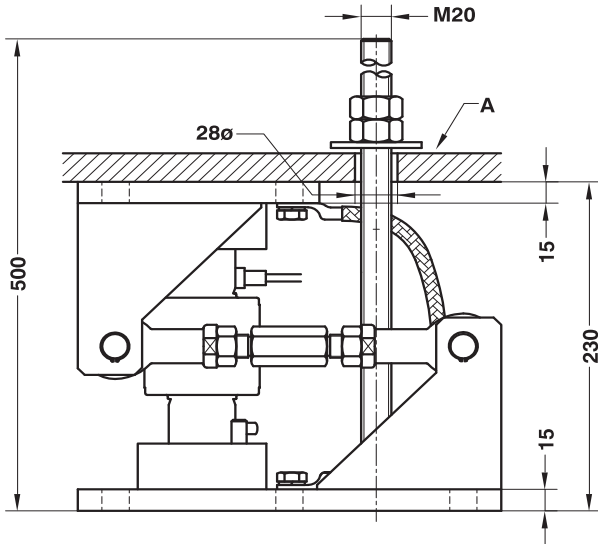


Accessory 附件	Model 型号	A	Accessory 附件	Transport Weight 重量
<b>74901 + 74902 + 74903</b>	740 (15-20-25-30-40-50 t)	235	<b>74901</b>	3 kg
<b>74905 + 74902 + 74903</b>	740 (60 t)	295	<b>74902</b>	3.9 kg
			<b>74903</b>	9.7 kg
			<b>74905</b>	3 kg



Dimensions in mm. 单位: mm

**MOUNTING KIT LIFT-OFF PREVENTION FOR SILO FOR M.740 (15...50t)**  
适用于料斗的带限位的安装附件MOD.740(15...50t)

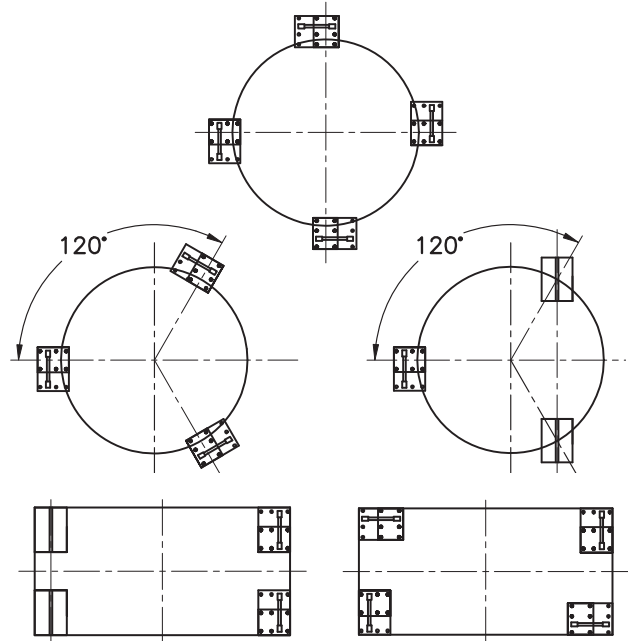
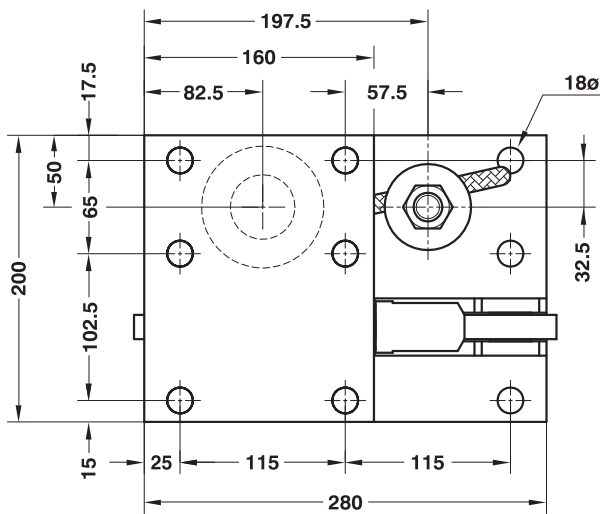
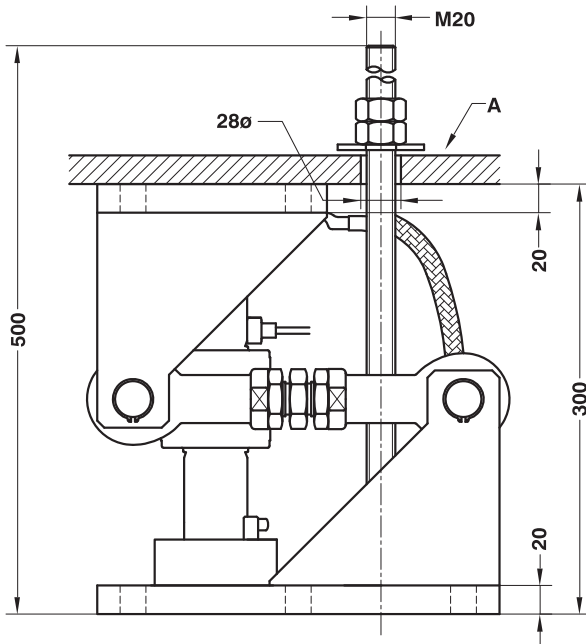


Nominal load	15...50 t	量程
Max. permissible side offset transverse to retention arm	±4 mm	最大横向偏差
Permissible horitz. force in direction of the retention arm	47 kN	侧向力
Maximum permissible lifting force	76 kN	最大侧向力
Max. permissible lifting movement, must be adjusted (A)	3 mm	最大侧向偏差, 超出则需调整
Material: Alloy steel zinc-plated		材质: 合金钢, 表面镀锌

Dimensions in mm. 单位: mm

Transport weight - 重量: 19 kg

**MOUNTING KIT LIFT-OFF PREVENTION FOR SILO FOR M.740 (60t)**  
适用于料斗的带限位的安装附件MOD.740(60t)

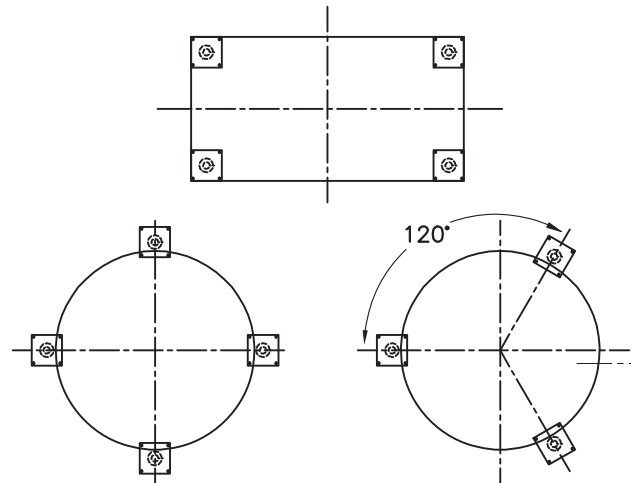
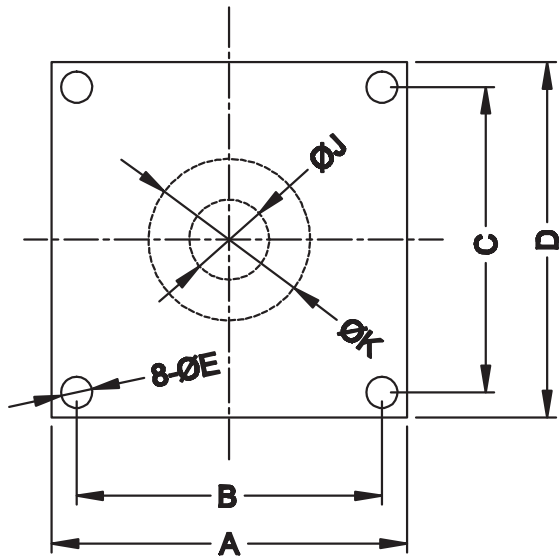
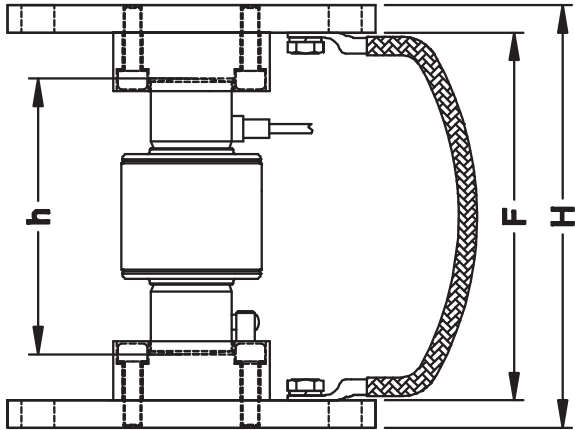


Nominal load	60 t	量程
Max. permissible side offset transverse to retention arm	±4 mm	最大横向偏差
Permissible horitz. force in direction of the retention arm	95 kN	侧向力
Maximum permissible lifting force	114 kN	最大侧向力
Max. permissible lifting movement, must be adjusted (A)	3 mm	最大侧向偏差, 超出则需调整
Material: Alloy steel zinc-plated		材质: 合金钢, 表面镀锌

Dimensions in mm. 单位: mm

Transport weight - 重量: 27 kg

ACCESSORIES FOR SILO FOR M.740 (15-600t)  
 适用于料斗的安装附件MOD.740(15-600t)



Accessory 附件	Nominal load 量程	A	B	C	D	E $\emptyset$	F	H	h	J $\emptyset$	K $\emptyset$	Transport weight 重量
<b>74921</b>	15-50 t	200	167	167	200	18.5	200	230	150	45	91	13 kg
<b>74922</b>	60 t	200	167	167	200	18.5	260	300	210	45	91	15 kg
<b>74923</b>	100-200 t	200	162	162	200	22.5	340	400	260	65	125	28 kg
<b>74924</b>	400 t	240	202	202	240	22.5	400	460	260	112	194	60 kg
<b>74925</b>	600 t	280	242	202	280	22.5	460	530	260	122	204	65 kg

Dimensions in mm. 单位: mm