
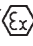
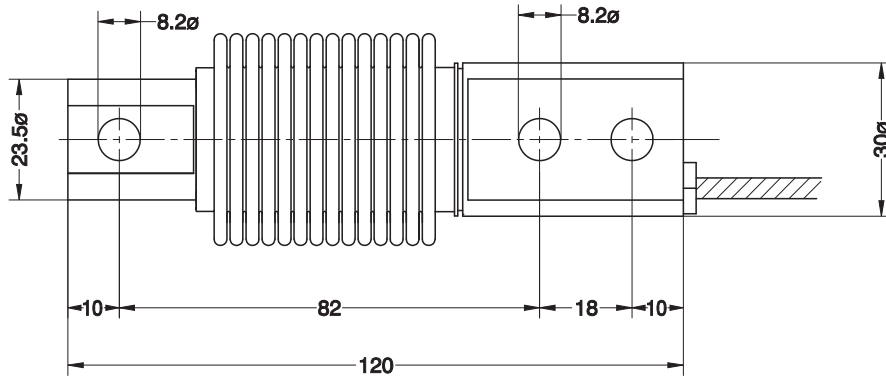
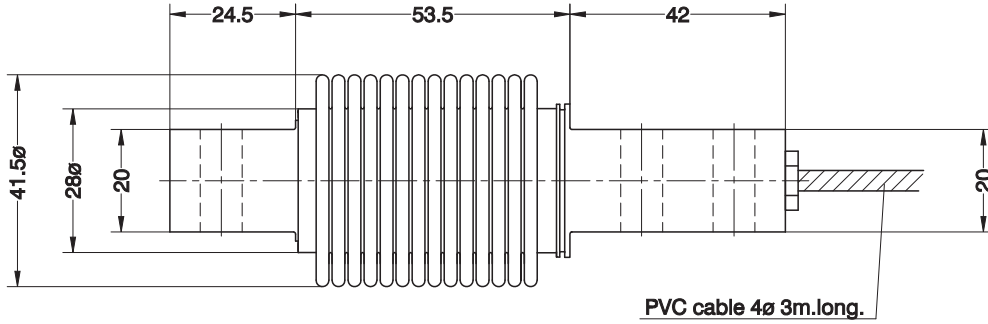


- Bending beam load cell
- Fully Stainless Steel
- 3000/6000 divisions OIML R60 class C
- Hermetically sealed, fully welded
- Protected IP 68 (EN 60529) and IP 69K (ISO 20653)
- Available in **ATEX**  version (optional)
Zone 0-1-2 (gas) and 20-21-22 (dust)
- 双弯曲梁式称重传感器
- 完全不锈钢
- 3000/6000分度 OIML R60 C级
- 完全焊接密封
- 保护等级IP68 (EN 60529) 和IP69K(ISO 20653)
- 防爆可选 **ATEX** 

| Model 型号 | Nominal capacity 量程 Ln | Accuracy class 准确度等级 n. OIML | Minimum division 最小分度值 vmin | Service load 最大称量 150 % Ln | Safe load 安全载荷极限 200 % Ln |
|-------------|------------------------------|------------------------------------|-----------------------------------|----------------------------------|---------------------------------|
| 300 5 kg | 5 kg | 3000 | 0.5 g | 7.5 kg | 10 kg |
| 300 10 kg | 10 kg | 3000 | 1 g | 15 kg | 20 kg |
| 300 20 kg | 20 kg | 3000 | 2 g | 30 kg | 40 kg |
| 300 30 kg | 30 kg | 3000 | 3 g | 45 kg | 60 kg |
| 300 50 kg | 50 kg | 3000/6000 | 5/2.8 g | 75 kg | 100 kg |
| 300 75 kg | 75 kg | 3000/6000 | 7.5/4.2 g | 112 kg | 150 kg |
| 300 100 kg | 100 kg | 3000/6000 | 10/5.6 g | 150 kg | 200 kg |
| 300 150 kg | 150 kg | 3000/6000 | 15/8.4 g | 225 kg | 300 kg |
| 300 200 kg | 200 kg | 3000/6000 | 20/11.2 g | 300 kg | 400 kg |
| 300 250 kg | 250 kg | 3000/6000 | 25/13.9 g | 375 kg | 500 kg |
| 300 300 kg | 300 kg | 3000 | 30 g | 450 kg | 600 kg |
| 300 500 kg | 500 kg | 3000 | 50 g | 750 kg | 1000 kg |

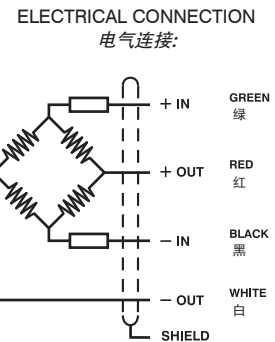
MODEL 300



Dimensions in mm. 单位: mm

Transport weight - 重量: 0.5 kg

| SPECIFICATIONS | | | | 技术条件 |
|----------------------------|--|-----------------------|----------|--------------|
| Nominal capacities (Ln) | 5-10-20-30-50-75-100-150-200-250-300-500 | 50-75-100-150-200-250 | kg | 量程 (Ln) |
| Accuracy class | 3000 | 6000 | n. OI | 准确度等级 |
| Minimum dead load | 0 | 0 | %Ln | 最小静载荷 |
| Service load | 150 | 150 | %Ln | 最大称量 |
| Safe load limit | 200 | 200 | %Ln | 安全载荷极限 |
| Total error | < ±0.017 | < ±0.008 | %Sn (1) | 综合误差 |
| Repeatability error | < ±0.015 | < ±0.01 | %Sn | 重复性误差 |
| Temperature effect: | | | | 温度影响: |
| on zero | < ±0.01 | < ±0.005 | %Sn/5 °C | 零点 |
| on sensitivity | < ±0.006 | < ±0.003 | %Sn/5 °C | 灵敏度 |
| Creep error (30 minutes) | < ±0.016 | < ±0.008 | %Sn | 蠕变 (30分钟) |
| Temperature compensation | -10...+40 | -10...+40 | °C | 温度补偿 |
| Temperature limits | -30...+70 | -30...+70 | °C | 温度极限 |
| Nominal sensitivity (Sn) | 2 ±0.1% | 2 ±0.1% | mV/V (2) | 灵敏度 |
| Nominal input voltage | 10 | 10 | V | 激励电压 |
| Maximum input voltage | 15 | 15 | V | 最大激励电压 |
| Input impedance | 400 ±20 | 400 ±20 | Ω | 输入阻抗 |
| Output impedance | 350 ±3 | 350 ±3 | Ω | 输出阻抗 |
| No load output | < ±2 | < ±2 | %Sn | 空荷输出 |
| Insulation resistance | > 5000 | > 5000 | MΩ | 绝缘电阻 |
| Maximum deflection (at Ln) | 0.2-0.4 | 0.2-0.4 | mm | 最大变形位移 (量程内) |

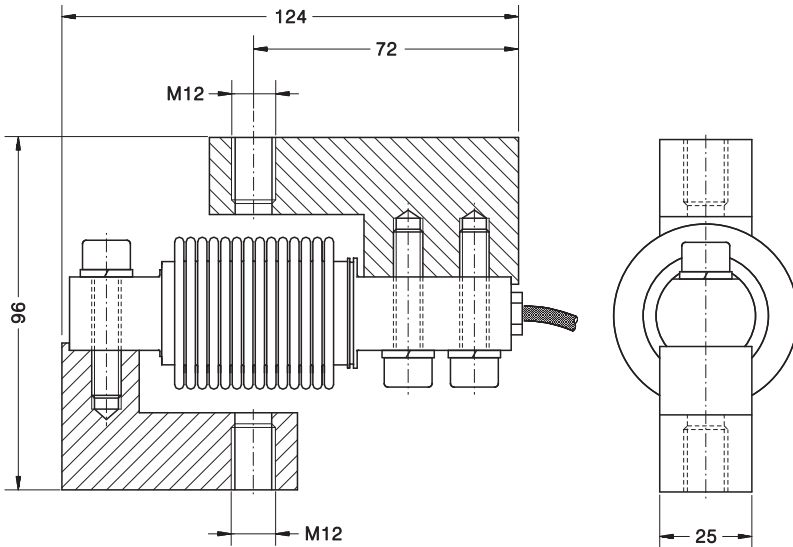


(1) Total error: Non Linearity and Hysteresis / 综合误差: 非线性和滞后

(2) Ln ≤ 20 kg, 2 ±0.2%

TENSION ACCESSORIES FOR MODEL 300
MOD.300拉式安装附件

Acc. **30901**

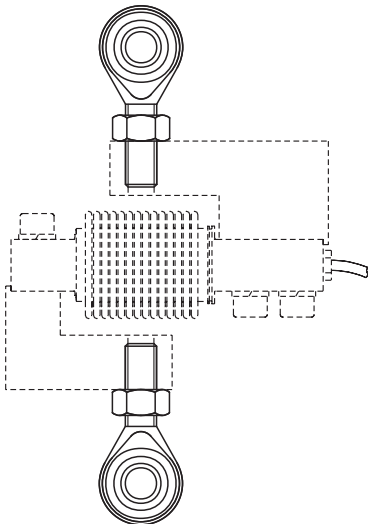


- Material: Alloy steel zinc-plated
- 材质: 合金钢镀锌

Dimensions in mm. 单位: mm

Transport weight - 重量: 0.8 kg

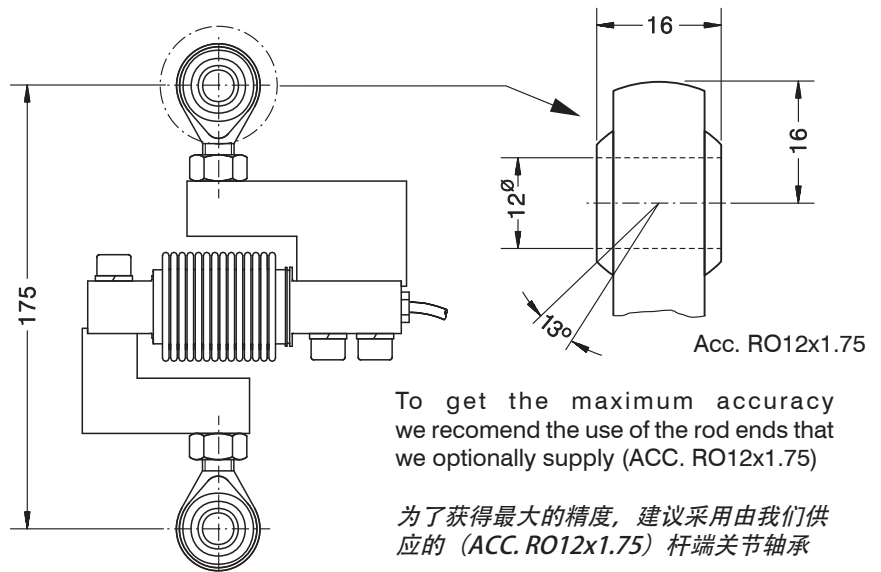
Acc. **RO12x1.75**



Alloy steel zinc-plated
合金钢镀锌

Transport weight - 重量: 0.4 kg

Mod. **300** + Acc. **30901** + Acc. **RO12x1.75**



To get the maximum accuracy we recommend the use of the rod ends that we optionally supply (ACC. RO12x1.75)

为了获得最大的精度, 建议采用由我们供应的 (ACC. RO12x1.75) 杆端关节轴承

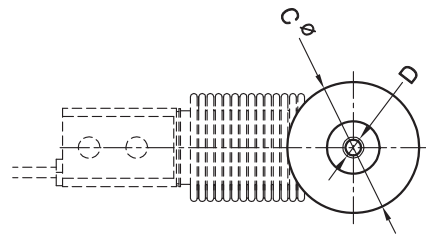
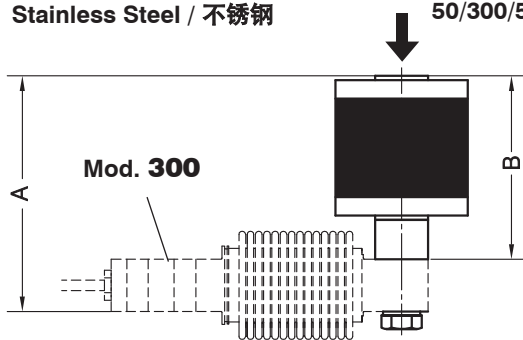
ACCESSORIES FOR MODEL 300
MOD.300安装附件



Acc. **30904**: Silent-block bearing up to 50 kg (blue rubber) / 橡胶减震器 (蓝胶) 最高承重 50 kg
 Acc. **30905**: Silent-block bearing up to 300 kg / 橡胶减震器最高承重 300 kg
 Acc. **30906**: Silent-block bearing up to 500 kg / 橡胶减震器最高承重 500 kg

Stainless Steel / 不锈钢

50/300/500 kg max.

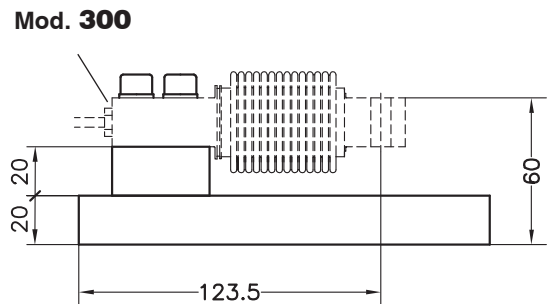
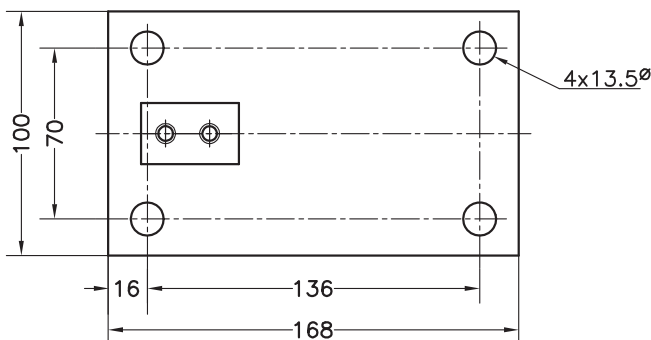


| Accessory 附件 | A | B | C \varnothing | D |
|--------------------|-----|----|-----------------|-----|
| 30904-30905 | 90 | 70 | 50 | M8 |
| 30906 | 100 | 80 | 70 | M12 |

Transport weight - 重量: 0.5 kg

Acc. **30903**: Base plate: Steel zinc-plated / 底板: 合金钢镀锌

Acc. **30903i**: Base plate: Stainless Steel / 底板: 不锈钢

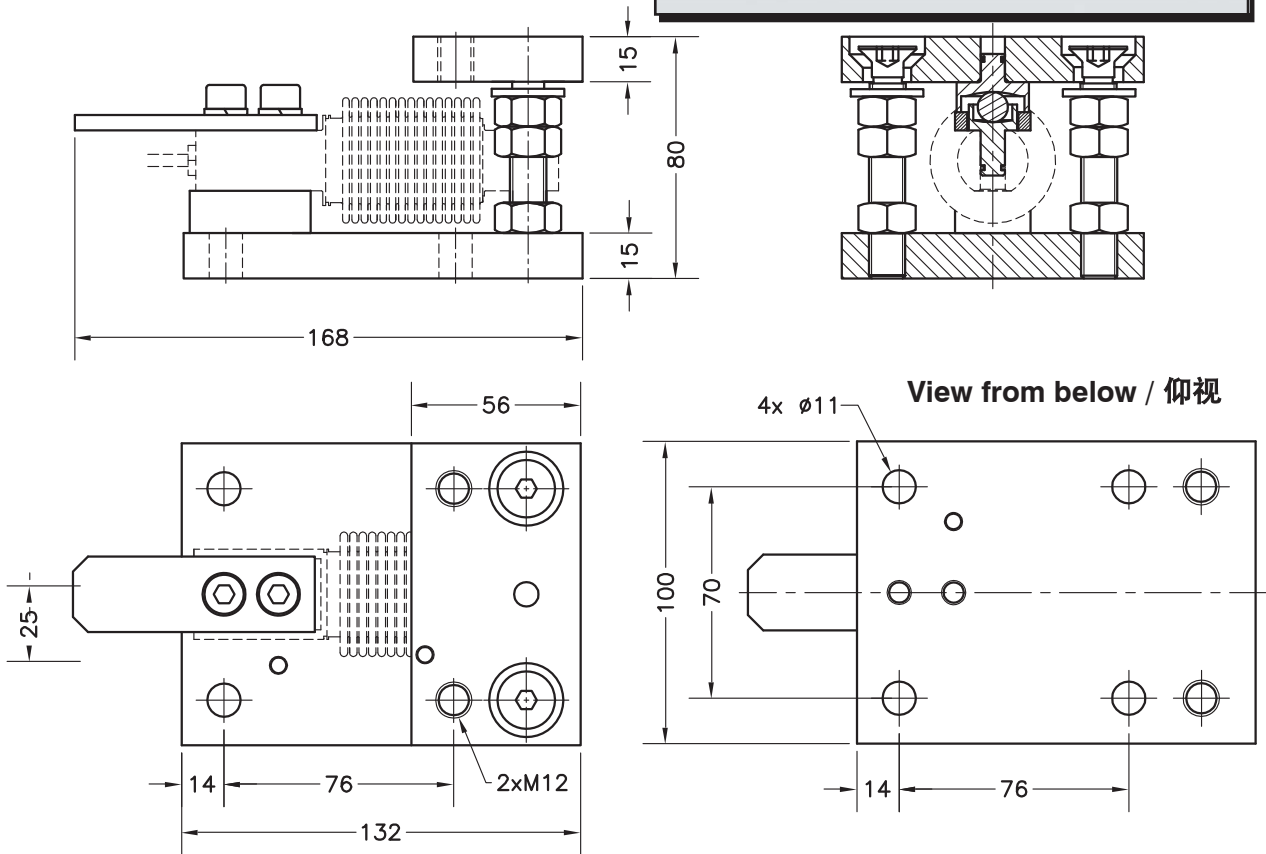


Dimensions in mm. 单位: mm

Transport weight - 重量: 3 kg

MOUNTING-KIT LIFT-OFF PREVENTION FOR MOD. 300 适用于料斗的带限位的安装附件MOD.300

- Material:**
 Alloy steel zinc-plated **Acc. 30907**
 Stainless Steel **Acc. 30907i**
- 材质:**
 合金钢镀锌 **Acc. 30907**
 不锈钢 **Acc. 30907i**



| Accessory 附件 | Nominal load 量程 | A | B | C | D | E | F | G | H | I | J | Transport weight 重量 |
|-----------------|--------------------|-----|-----|-----|----|----|-----|----|----|----|---|------------------------|
| 35907 | 0.3...2 t | 94 | 168 | 100 | 70 | 16 | 136 | 20 | 15 | 15 | 1 | 5 kg |
| 35907i | 3...5 t | 113 | 212 | 120 | 84 | 18 | 175 | 25 | 18 | 18 | - | 8.5 kg |

| | Alloy steel zinc-plated / 合金钢镀锌 | Stainless Steel / 不锈钢 |
|---|---------------------------------|-----------------------|
| | 30907 | 30907i |
| Maximum permissible offset transverse to load cell 称重传感器最大横向位移 | ±2.5 mm | ±2.5 mm |
| Maximum lift-off force 最大倾翻力 | 40.46 kN | 40.46 kN |
| Maximum force horizontal to load cell 最大横向力 | 2.53 kN | 1.58 kN |

Dimensions in mm. 单位: mm

Transport weight - 重量: 2.5 kg