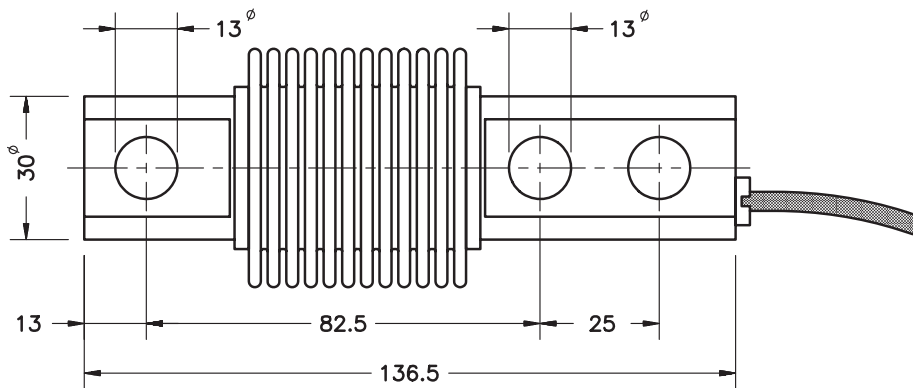
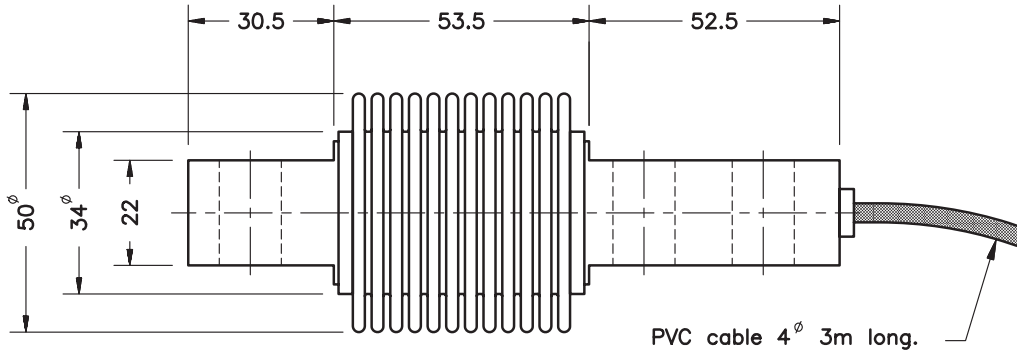


- Bending beam load cell
- Fully Stainless Steel
- 3000 divisions OIML R60 class C *
- Hermetically sealed, fully welded
- Protected IP 68 (EN 60529)
- Available in **ATEX** version (optional)
Zone 0-1-2 (gas) and 20-21-22 (dust)
- 双弯曲梁式称重传感器
- 完全不锈钢
- 3000分度 OIML R60 C*级
- 完全焊接密封
- 保护等级IP68 (EN 60529)
- 防爆可选 **ATEX** version

Model 型号	Nominal capacity 量程 Ln	Accuracy class 准确度等级 *n. OIML	Minimum division 最小分度值 vmin	Service load 最大称量 150 % Ln	Safe load 安全载荷极限 200 % Ln
340 15 kg	15 kg	3000	1.5 g	22 kg	30 kg
340 30 kg	30 kg	3000	3 g	45 kg	60 kg
340 50 kg	50 kg	3000	5 g	75 kg	100 kg
340 75 kg	75 kg	3000	7.5 g	112 kg	150 kg
340 100 kg	100 kg	3000	10 g	150 kg	200 kg
340 150 kg	150 kg	3000	15 g	225 kg	300 kg
340 200 kg	200 kg	3000	20 g	300 kg	400 kg
340 250 kg	250 kg	3000	25 g	375 kg	500 kg
340 300 kg	300 kg	3000	30 g	450 kg	600 kg
340 500 kg	500 kg	3000	50 g	750 kg	1000 kg
340 750 kg	750 kg	3000	75 g	1125 kg	1500 kg
340 1000 kg	1000 kg	3000	100 g	1500 kg	2000 kg
340 1500 kg	1500 kg	2000	150 g	2250 kg	2500 kg

MODEL 340

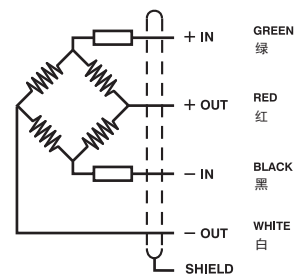


Dimensions in mm. 单位: mm

Transport weight - 重量: 0.5 kg

SPECIFICATIONS			技术条件
Nominal capacities (Ln)	15-30-50-75-100 150-200-250-300 500-750-1000-1500	kg	量程 (Ln)
Accuracy class	3000	n. OIML (3)	准确度等级
Minimum dead load	0	%Ln	最小静载荷
Service load	150	%Ln	最大称量
Safe load limit	200	%Ln	安全载荷极限
Total error	< ±0.017	%Sn (1) (3)	综合误差
Repeatability error	< ±0.015	%Sn	重复性误差
Temperature effect: on zero	< ±0.01	%Sn/5°C	温度影响: 零点
on sensitivity	< ±0.006	%Sn/5°C	灵敏度
Creep error (30 minutes)	< ±0.016	%Sn	蠕变 (30分钟)
Temperature compensation	-10...+40	°C	温度补偿
Temperature limits	-30...+70	°C	温度极限
Nominal sensitivity (Sn)	2 ±0.1%	mV/V (2)	灵敏度
Nominal input voltage	10	V	激励电压
Maximum input voltage	15	V	最大激励电压
Input impedance	400 ±20	Ω	输入阻抗
Output impedance	350 ±3	Ω	输出阻抗
No load output	< ±2	%Sn	空荷输出
Insulation resistance	> 5000	MΩ	绝缘电阻
Maximum deflection (at Ln)	0.2-0.4	mm	最大变形位移 (量程内)

ELECTRICAL CONNECTION 电气连接:



(1) Total error: Non Linearity and Hysteresis / 综合误差: 非线性误差和滞后误差

(2) Ln ≤ 20 kg, 2 ±0.2%

(3) 1500 kg: 2000 n. OIML

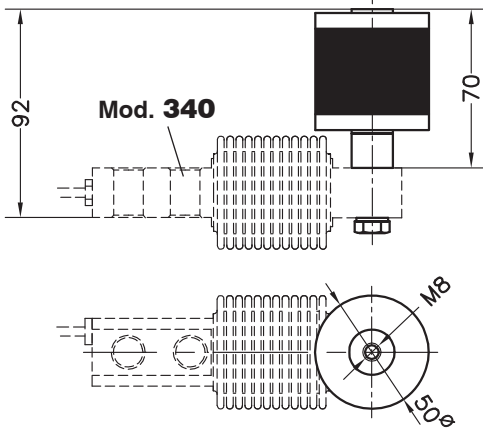
ACCESSORIES FOR MODEL 340
MOD.340安装附件

Acc. **30904**: Silent-block bearing up to 50 kg
(blue rubber) / 橡胶减震器
(蓝胶) 最高承重50kg

Acc. **30905**: Silent-block bearing up to 300 kg
/ 橡胶减震器最高承重300kg

Stainless Steel / 不锈钢

50/300 kg max.



Transport weight - 重量: 0.5 kg



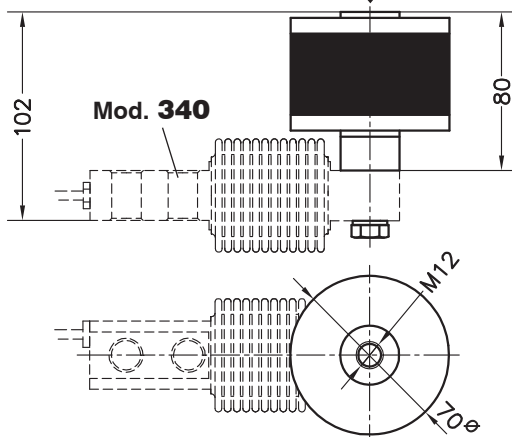
Acc. **34903**: Base plate: Steel zinc-plated
底板: 合金钢镀锌

Acc. **34903i**: Base plate: Stainless Steel
底板: 不锈钢

Acc. **34906**: Silent-block bearing up to 750 kg /
橡胶减震器最高承重 750 kg

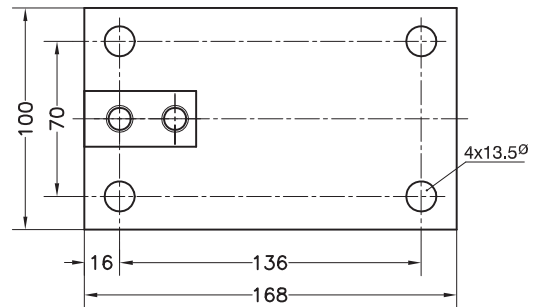
Stainless Steel / 不锈钢

750 kg max.

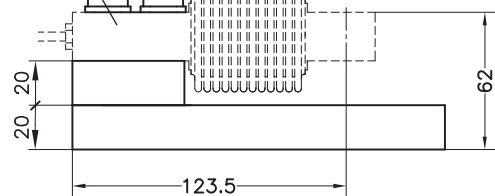


Transport weight - 重量: 0.5 kg

Dimensions in mm. 单位: mm



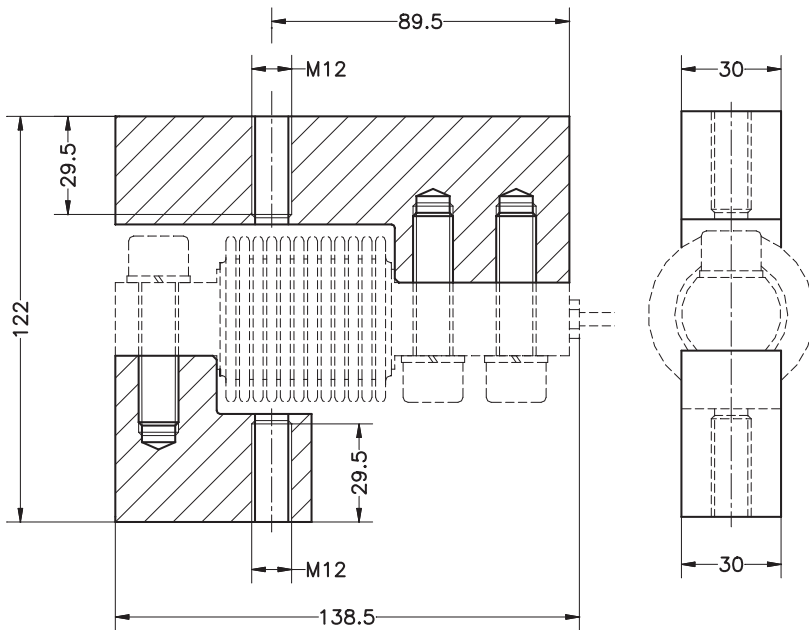
Mod. **340**



Transport weight - 重量: 3 kg

TENSION ACCESSORIES FOR MODEL 340
MOD.340拉式安装附件

Acc. **34905**

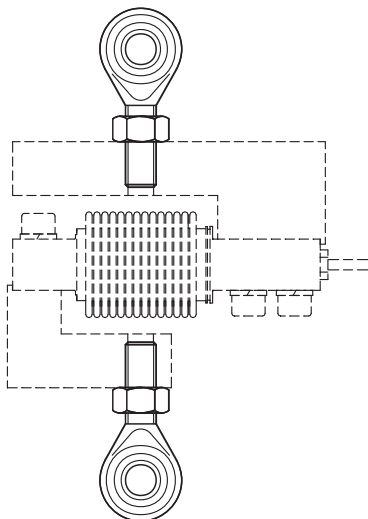


- Material: Alloy stell zinc-plated
- 材质：合金钢镀锌

Dimensions in mm. 单位: mm

Transport weight - 重量: 1.9 kg

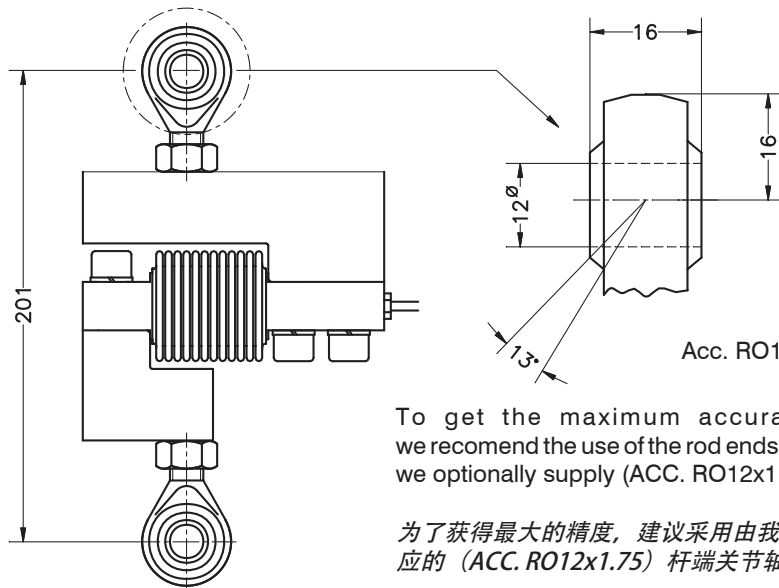
Acc. **RO12x1.75**



Alloy steel zinc-plated
合金钢镀锌

Transport weight - 重量: 0.4 kg

Mod. **340** + Acc. **34905** + Acc. **RO12x1.75**

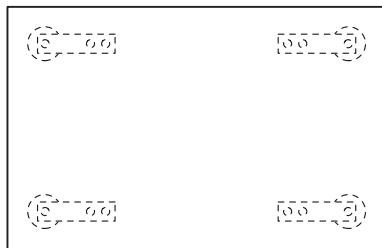
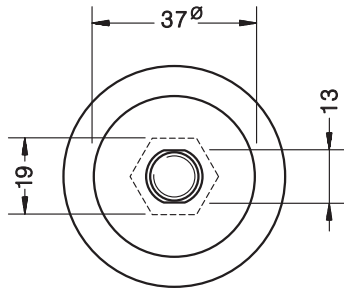
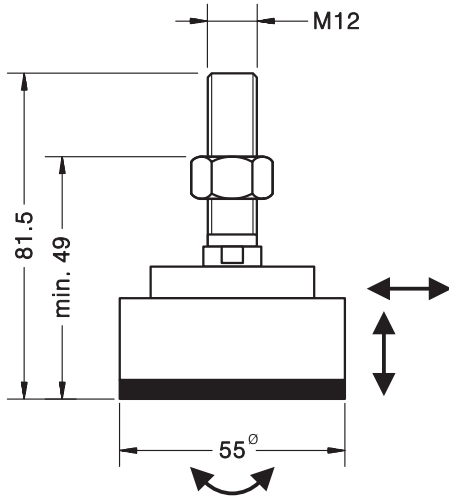


Acc. RO12x1.75

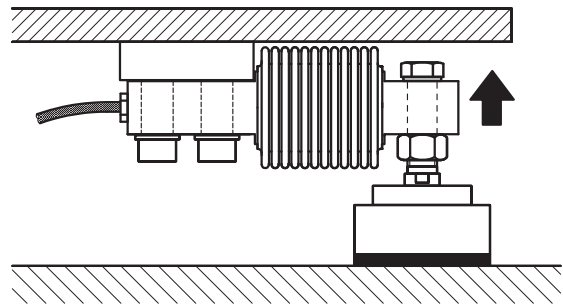
To get the maximum accuracy, we recommend the use of the rod ends that we optionally supply (ACC. RO12x1.75)

为了获得最大的精度, 建议采用由我们供应的 (ACC. RO12x1.75) 杆端关节轴承

LOAD FOOT ACCESSORY FOR MODELS 340-350
MOD.340-350称重支点安装附件



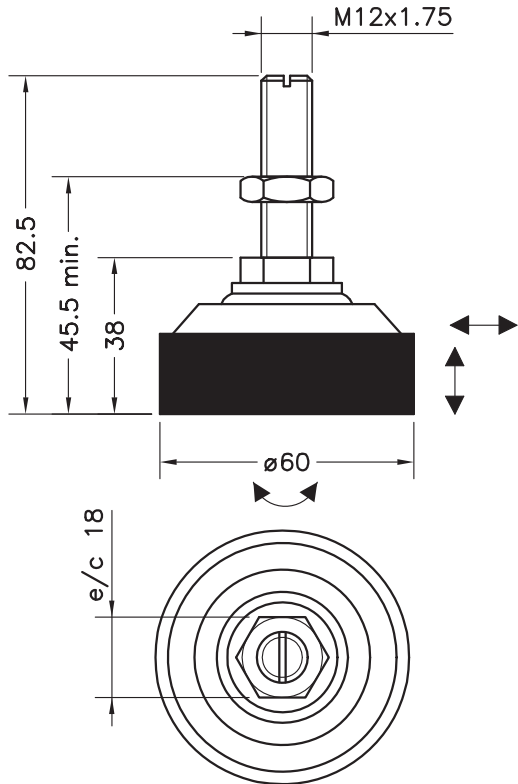
- **Materials: Stainless Steel and Rubber**
- **材质：不锈钢和橡胶**



Dimensions in mm. 单位: mm

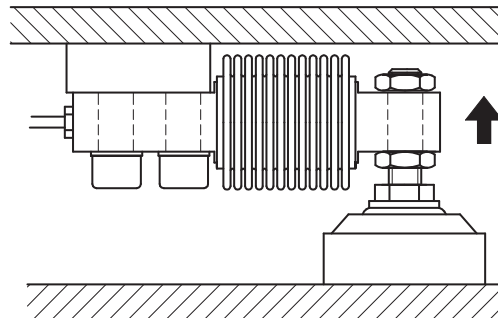
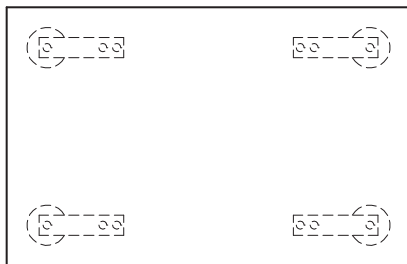
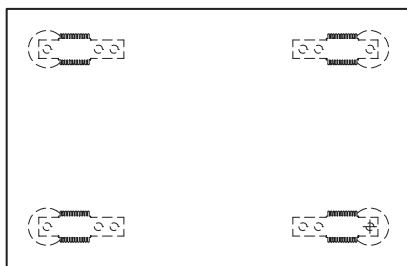
Transport weight - 重量: 0.33 kg

LOAD FOOT ACCESSORY FOR MODELS 340-350
MOD.340-350称重支点安装附件

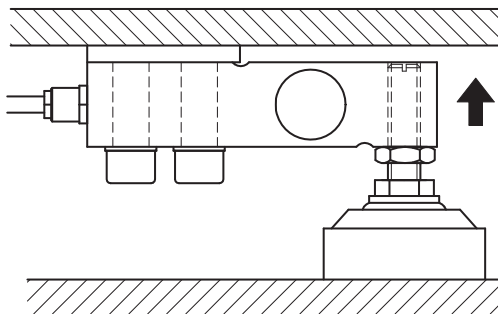


■ **Materials: Stainless Steel and Rubber**

■ **材质：不锈钢和橡胶**



Mod. 340
+
Acc. FT12i



Mod. 350
(300...2000 kg)
+
Acc. FT12i

Dimensions in mm. 单位: mm

Transport weight - 重量: 0.42 kg