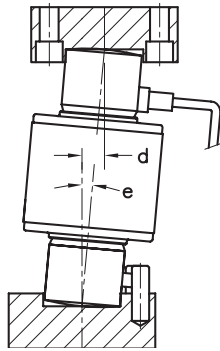
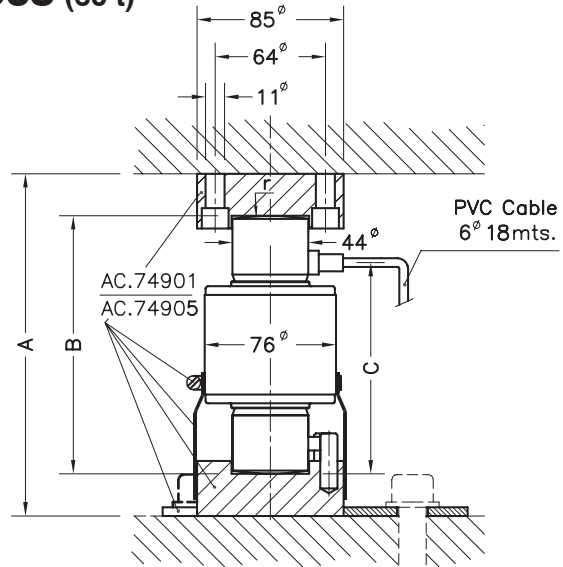
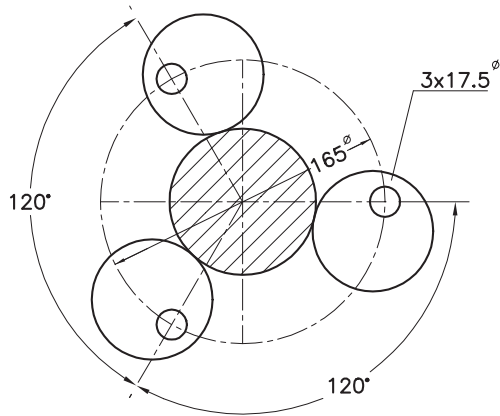


- Digital compression load cell, selfcentering column
- 4000 divisions OIML R60 class C
- Stainless Steel construction
- Hermetically welded, protection class IP 68 (EN 60529) and IP 69K (ISO 20653)
- Lightning protection
- Digital interface RS-485 full duplex
- Configuration and updatable software through serial interface
- Advantages in system setup, corner adjustment and individualized diagnosis
- Applications: High capacity weighing systems, truck scales
- 数字压式称重感器, 自复位弹性体
- 4000分度, OIML R60 C 级
- 不锈钢制造
- 完全焊接密封, 防护等级IP68(EN 60529)和IP69K(ISO 20653)
- 防雷击保护
- 数字接口RS-485双工
- 可通过串口进行配置和升级软件
- 系统设定的优点,可角差修正和分离的故障诊断
- 应用: 大量程称重系统, 汽车衡

Model 型号	Nominal capacity 量程 Ln	Accuracy class 准确度等级 n. OIML	Minimum division 最小分度值 vmin	Safe load limit 安全载荷 150 % Ln	Breaking load 极限载荷 > 350 % Ln
740D 15 t	15 t	4000	1.25 kg	22.5 t	> 52.5 t
740D 30 t	30 t	4000	2.5 kg	45 t	> 105 t
740D 40 t	40 t	4000	3.33 kg	60 t	> 140 t
740D 50 t	50 t	4000	4.17 kg	75 t	> 175 t
740D 60 t	60 t	4000	5 kg	90 t	> 210 t



MODEL 740D + ACC. 74901 (15...50 t)
ACC. 74905 (60 t)



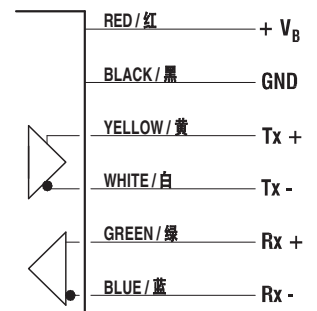
Load cells 称重传感器	A	B	C	d max.	e max. 最大倾角	半径 Ball r	Transport Weight 重量
740D 15 t	200	150	123	13	5°	130	2.5 kg
740D 30 t	200	150	123	13	5°	160	2.6 kg
740D 40 t	200	150	123	13	5°	180	2.8 kg
740D 50 t	200	150	123	13	5°	180	2.9 kg
740D 60 t	260	210	153	11	3°	220	3.8 kg
Acc.74901	-	-	-	-	-	-	3 kg
Acc.74905	-	-	-	-	-	-	3 kg

Dimensions in mm. 单位: mm

SPECIFICATIONS			技术条件
Nominal capacities (Ln)	15-30-40-50-60	t	量程 (Ln)
Accuracy class	4000	n. OIML	准确度等级
Minimum dead load	0	%Ln	最小静载荷
Service load	120	%Ln	安全载荷
Safe load limit	150	%Ln	安全载荷极限
Total error	< ±0.013	%Sn	综合误差
Repeatability error	< ±0.01	%Sn	重复性误差
Temperature effect: on zero	< ±0.01	%Sn/5°C	温度影响: 零点
on sensitivity	< ±0.006	%Sn/5°C	灵敏度
Creep error (30 minutes)	< ±0.012	%Sn	蠕变 (30分钟)
Temperature compensation	-10...+40	°C	温度补偿
Temperature limits	-30...+70	°C	温度极限
Nominal sensitivity (Sn)	200000±0.05%	counts (1)	灵敏度
No load output	±0.1	%Sn	空荷输出
Power supply	8...18	V DC	激励电压
Supply current	60	mA (max.)	电流容量
RS-485 Serial interface	双工		RS-485串口
Max. transmission cable length	1200	m	最大传输距离
Maximum deflection (at Ln)	0.6-1	mm	最大变形位移 (量程内)

ELECTRICAL CONNECTION
电气连接:

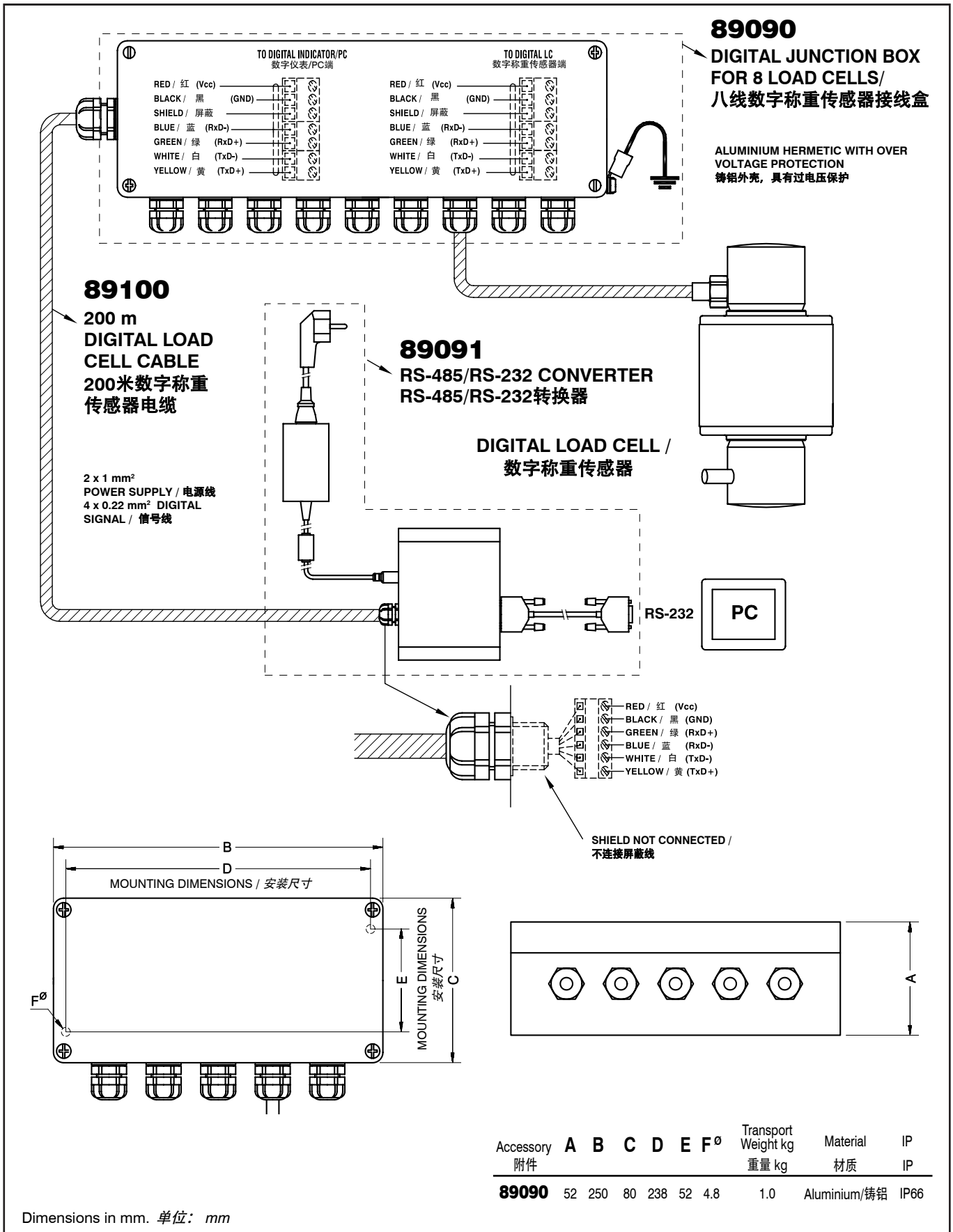
LOAD CELL
称重传感器



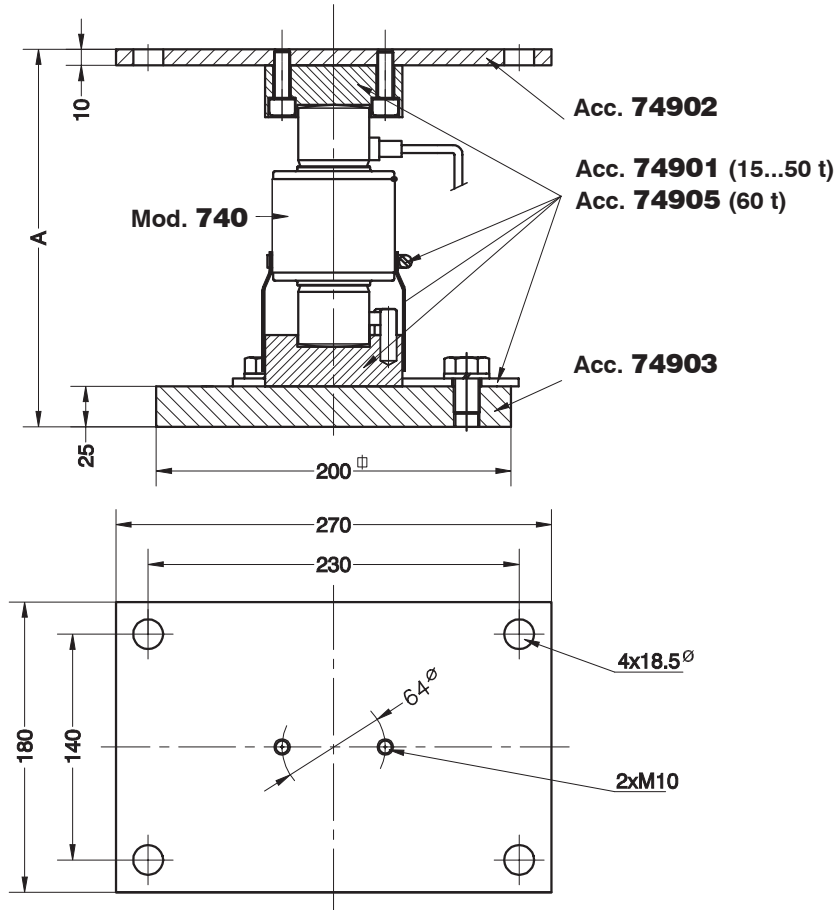
(1) User programmable / 用户可编程

ACCESSORIES AND SCHEMATIC CONNECTION DIGITAL LOADCELL

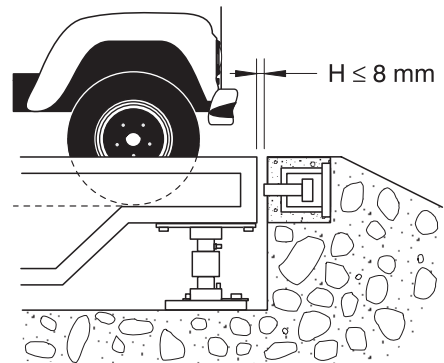
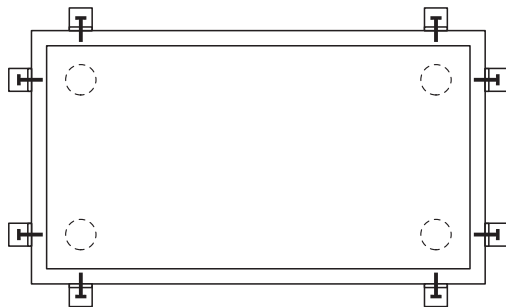
数字称重传感器连线图



ACCESSORIES FOR MODEL 740 (15...60t)
MOD.740(15...60t)安装附件

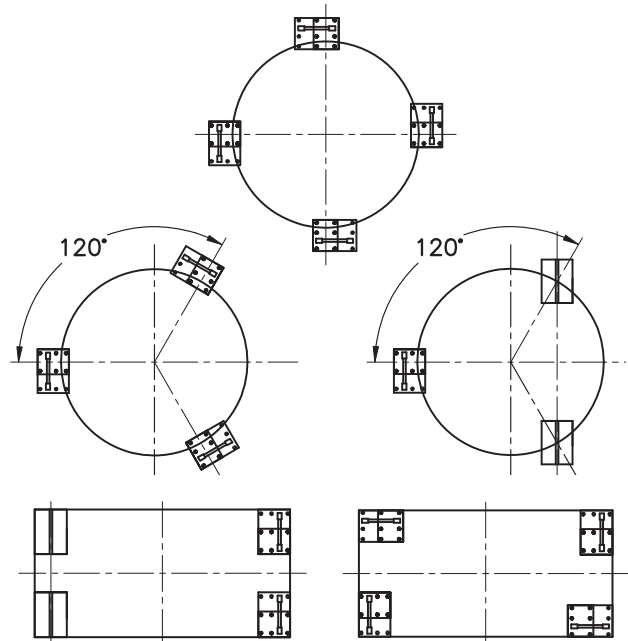
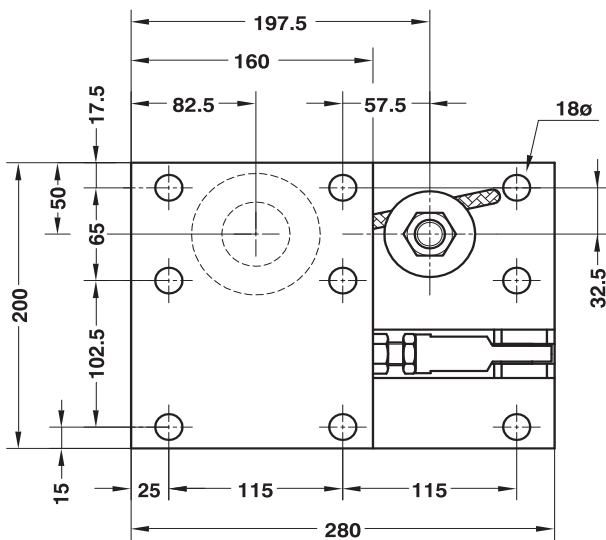
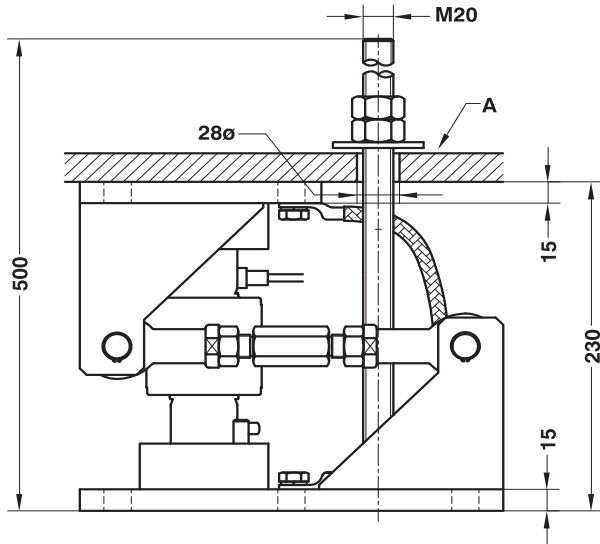


Accessory 附件	Model 型号	A	Accessory 附件	Transport Weight 重量
74901 + 74902 + 74903	740 (15-20-25-30-40-50 t)	235	74901	3 kg
74905 + 74902 + 74903	740 (60 t)	295	74902	3.9 kg
			74903	9.7 kg
			74905	3 kg



Dimensions in mm. 单位: mm

MOUNTING KIT LIFT-OFF PREVENTION FOR SILO FOR M.740 (15...50t)
适用于料斗的带限位的安装附件MOD.740(15...50t)

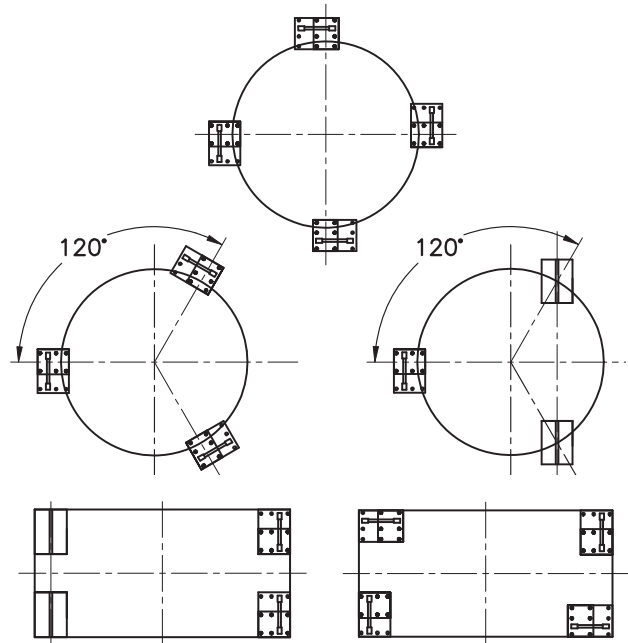
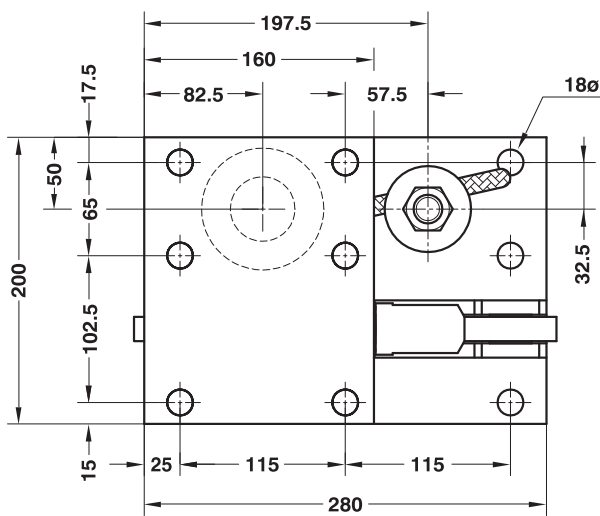
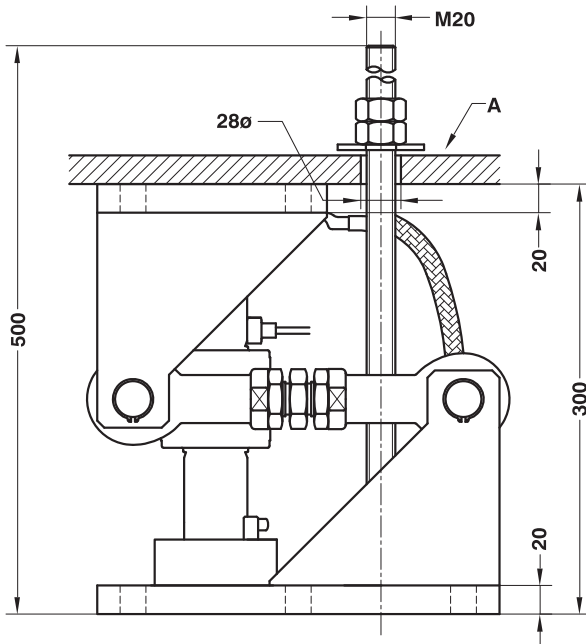


Nominal load	15...50 t	量程
Max. permissible side offset transverse to retention arm	±4 mm	最大横向偏差
Permissible horitz. force in direction of the retention arm	47 kN	侧向力
Maximum permissible lifting force	76 kN	最大侧向力
Max. permissible lifting movement, must be adjusted (A)	3 mm	最大侧向偏差, 超出则需调整
Material: Alloy steel zinc-plated		材质: 合金钢, 表面镀锌

Dimensions in mm. 单位: mm

Transport weight - 重量: 19 kg

MOUNTING KIT LIFT-OFF PREVENTION FOR SILO FOR M.740 (60t)
适用于料斗的带限位的安装附件MOD.740(60t)

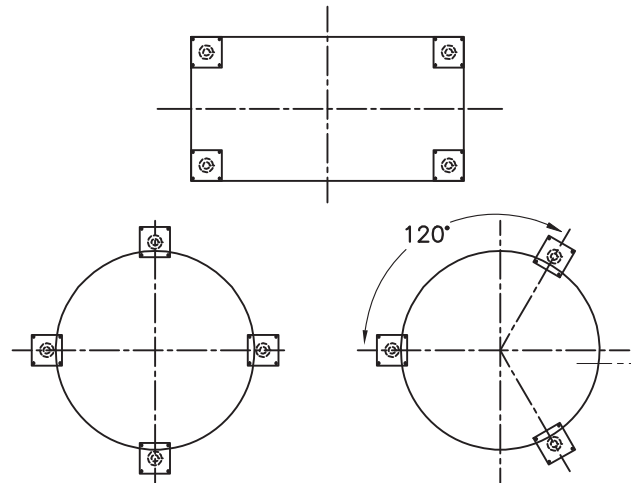
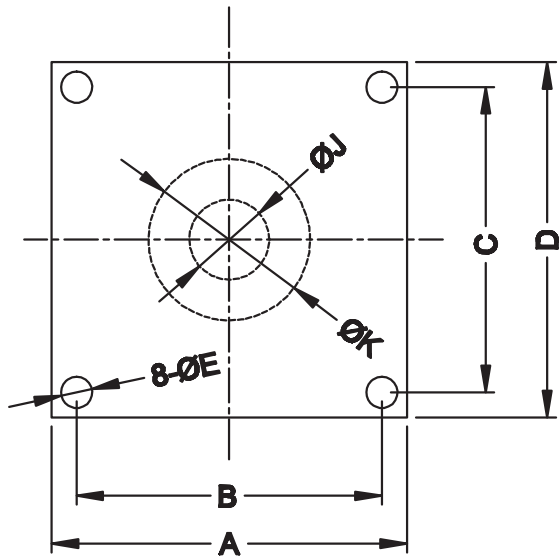
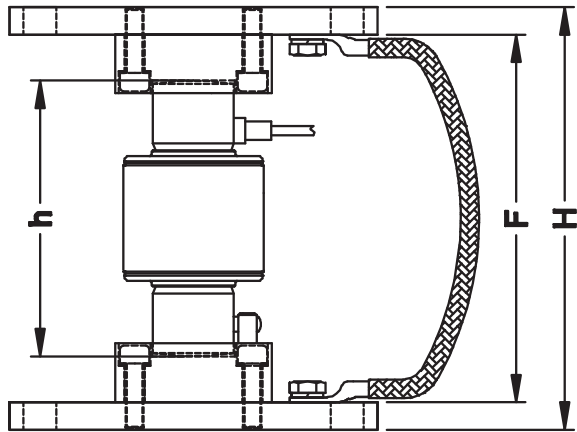


Nominal load	60 t	量程
Max. permissible side offset transverse to retention arm	±4 mm	最大横向偏差
Permissible horitz. force in direction of the retention arm	95 kN	侧向力
Maximum permissible lifting force	114 kN	最大侧向力
Max. permissible lifting movement, must be adjusted (A)	3 mm	最大侧向偏差, 超出则需调整
Material: Alloy steel zinc-plated		材质: 合金钢, 表面镀锌

Dimensions in mm. 单位: mm

Transport weight - 重量: 27 kg

ACCESSORIES FOR SILO FOR M.740 (15-600t)
 适用于料斗的安装附件MOD.740(15-600t)



Accessory 附件	Nominal load 量程	A	B	C	D	E \emptyset	F	H	h	J \emptyset	K \emptyset	Transport weight 重量
74921	15-50 t	200	167	167	200	18.5	200	230	150	45	91	13 kg
74922	60 t	200	167	167	200	18.5	260	300	210	45	91	15 kg
74923	100-200 t	200	162	162	200	22.5	340	400	260	65	125	28 kg
74924	400 t	240	202	202	240	22.5	400	460	260	112	194	60 kg
74925	600 t	280	242	202	280	22.5	460	530	260	122	204	65 kg

Dimensions in mm. 单位: mm