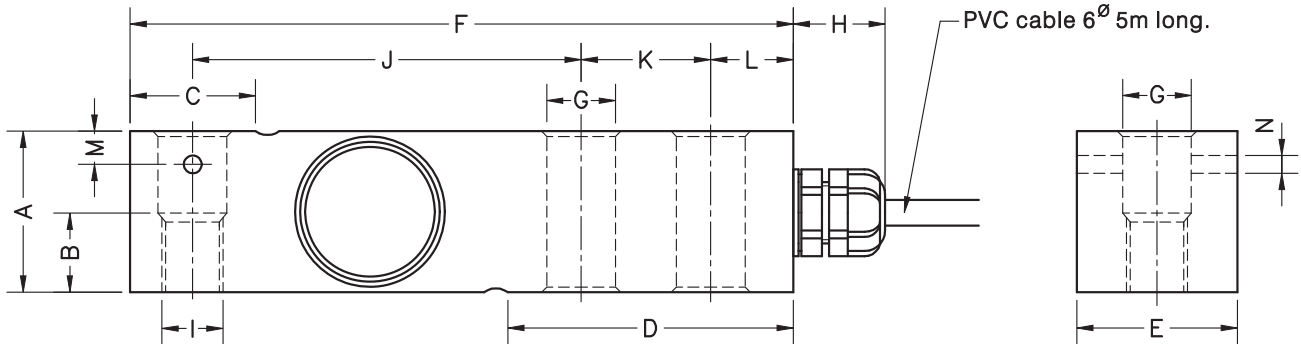


- Shear beam load cell
- Versions:
 - **350i** (300...5000kg): Fully Stainless Steel construction. Hermetically sealed, fully welded, IP 68 (EN 60529) and IP 69K (ISO 20653)
 - **350a** (300...5000kg): Stainless Steel construction. Silicone sealing, IP 66 (EN 60529) -
 - **350n** (300...2000kg): Nickel-plated Alloy steel. Silicone sealing, IP 66 (EN 60529)
- 3000 divisions OIML R60 class C
- Pre-corner adjustment optimized for multicell systems
- Available in **ATEX** version (optional)
Zone 0-1-2 (gas) and 20-21-22 (dust)
- High accuracy on industrial applications:
 - four load cells platforms
 - tanks and hopper weighing
- 剪切梁式传感器
- 材质:
 - **350i** (300...5000kg): 全不锈钢结构, 密封, 全焊接, 防护等级IP68 (EN 60529) /IP69K (ISO 20653)。
 - **350a** (300...5000kg): 不锈钢制造, 硅胶密封, 防护等级IP66 (EN 60529)。
 - **350n** (300...2000kg): 镀镍合金钢, 硅胶密封, 防护等级IP66 (EN 60529)。
- 3000分度 OIML R60 C级
- 对于使用多只传感器的系统易于调校
- 防爆可选 **ATEX**
- 工业上于需要高精度的场合:
 - 4个支点的称重平台
 - 料斗、料仓、料罐的称重

Model 型号	Nominal capacity 量程 Ln	Accuracy class 准确度等级 n. OIML	Minimum division 最小分度值 vmin	Service load 最大称量 150 % Ln	Safe load 安全载荷极限 200 % Ln
350 300 kg	300 kg	3000	30 g	450 kg	600 kg
350 500 kg	500 kg	3000	50 g	750 kg	1000 kg
350 750 kg	750 kg	3000	75 g	1125 kg	1500 kg
350 1000 kg	1000 kg	3000	100 g	1500 kg	2000 kg
350 1500 kg	1500 kg	3000	150 g	2250 kg	3000 kg
350 2000 kg	2000 kg	3000	200 g	3000 kg	4000 kg
350 3000 kg	3000 kg	3000	300 g	4500 kg	6000 kg
350 5000 kg	5000 kg	3000	500 g	7500 kg	10000 kg

Mod. 350i/a (300...5000kg)
Mod. 350n (300...2000kg)



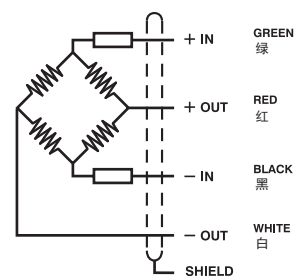
Nominal load (kg) 量程 (kg)	A	B	C	D	E	F	G Ø	H	I	J	K	L	M	N Ø	Transport weight 重量
	300-500-750-1000-1500-2000 3000-5000	31.5 48	15 -	24.6 37	56 76	31.5 41.5	130 171.5	13.5 20.5	18 18	M12 20.5	76.2 95.2	25.4 38.1	15.8 19	6.5 -	

Dimensions in mm. 单位: mm

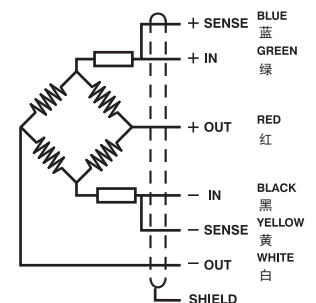
SPECIFICATIONS			技术条件
Nominal capacities (Ln)	300-500-750- 1000-1500-2000- 3000-5000	kg	量程 (Ln)
Accuracy class	3000	n. OIML	准确度等级
Minimum dead load	0	%Ln	最小静载荷
Service load	150	%Ln	最大称量
Safe load limit	200	%Ln	安全载荷极限
Total error	< ±0.017	%Sn (1)	综合误差
Repeatability error	< ±0.015	%Sn	重复性误差
Temperature effect:			温度影响:
on zero	< ±0.01	%Sn/5°C	零点
on sensitivity	< ±0.006	%Sn/5°C	灵敏度
Creep error (30 minutes)	< ±0.016	%Sn	蠕变 (30分钟)
Temperature compensation	-10...+40	°C	温度补偿
Temperature limits	-30...+70	°C	温度极限
Nominal sensitivity (Sn)	2	mV/V (2)	灵敏度
Nominal input voltage	10	V	激励电压
Maximum input voltage	15	V	最大激励电压
Input impedance	400 ±20	Ω	输入阻抗
Output impedance	350 ±3	Ω	输出阻抗
No load output	< ±2	%Sn	空荷输出
Insulation resistance	> 5000	MΩ	绝缘电阻
Maximum deflection (at Ln)	0.2-0.4	mm	最大变形位移 (量程内)

ELECTRICAL CONNECTION
 电气连接:

MOD. 350a/350n

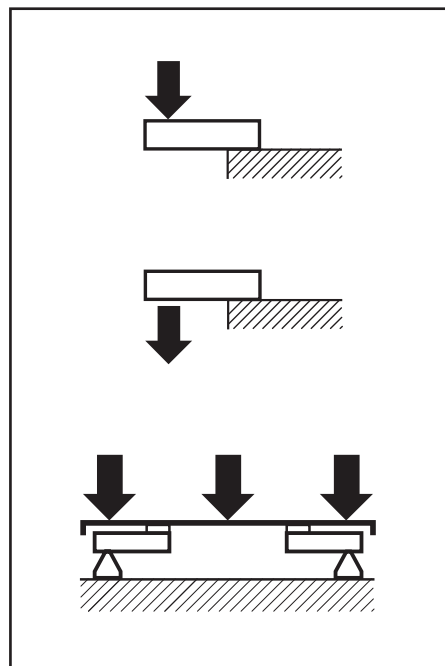


MOD. 350i



(1) Total error: Non Linearity and Hysteresis / 综合误差: 非线性误差和滞后误差

(2) Pre-corner adjustment optimized at ±0.05% by output current calibration /
 通过角差调整, 可优化±0.05%的电流输出



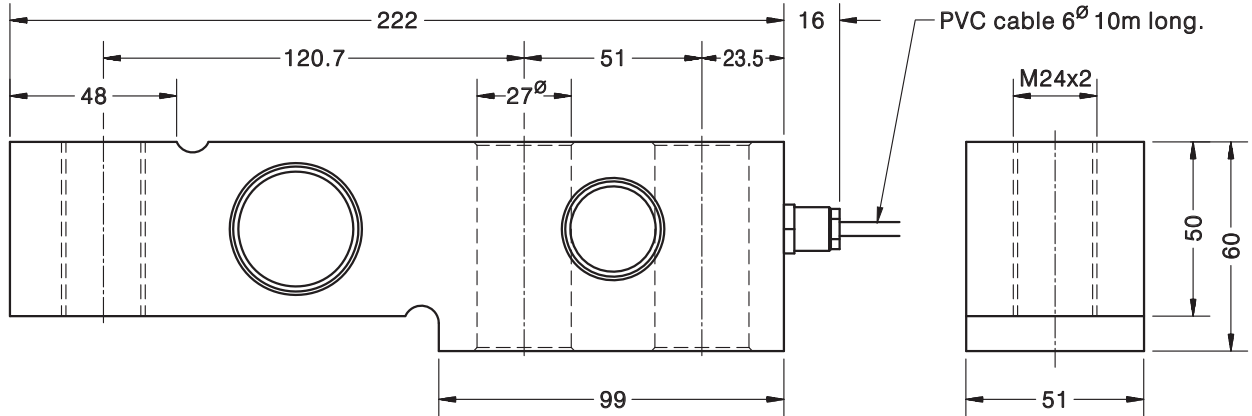
- Shear beam load cell
- Fully Stainless Steel construction
- Hermetically sealed, fully welded
- Protected IP 68 (EN 60529) and IP 69K (ISO 20653)
- 3000 divisions OIML R60 class C
- Pre-corner adjustment optimized for multicell systems
- High accuracy on industrial applications:
 - four load cells platforms
 - tanks and hopper weighing
 - light vehicle weighbridges
 - axle weighing
 - "on-board" weighing

- 剪切梁式传感器
- 全不锈钢结构
- 密封, 全焊接
- 防护等级IP68 (EN 60529)/IP69K (ISO 20653)
- 3000分度 OIML R60 C级
- 对于使用多只传感器的系统易于调校
- 工业上于需要高精度的场合:
 - 4个支点的称重平台
 - 料斗、料仓、料罐的称重
 - 轻型汽车衡
 - 轴称重
 - 车载称重

Model 型号	Nominal capacity 量程 Ln	Accuracy class 准确度等级 n. OIML	Minimum division 最小分度值 vmin	Service load 最大称量 150 % Ln	Safe load 安全载荷极限 200 % Ln
350 7500 kg	7500 kg	3000	0.75 kg	11250 kg	15000 kg
350 10000 kg	10000 kg	3000	1 kg	15000 kg	20000 kg



MODEL 350 (7500...10000kg)

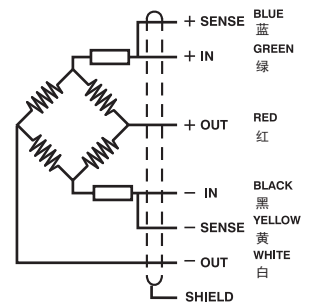


Dimensions in mm. 单位: mm

Transport weight - 重量: 4.3 kg

SPECIFICATIONS			技术条件
Nominal capacities (Ln)	7500-10000	kg	量程 (Ln)
Accuracy class	3000	n. OIML	准确度等级
Minimum dead load	0	%Ln	最小静载荷
Service load	150	%Ln	最大称量
Safe load limit	200	%Ln	安全载荷极限
Total error	< ±0.017	%Sn (1)	综合误差
Repeatability error	< ±0.015	%Sn	重复性误差
Temperature effect:			温度影响:
on zero	< ±0.01	%Sn/5°C	零点
on sensitivity	< ±0.006	%Sn/5°C	灵敏度
Creep error (30 minutes)	< ±0.016	%Sn	蠕变 (30分钟)
Temperature compensation	-10...+40	°C	温度补偿
Temperature limits	-30...+70	°C	温度极限
Nominal sensitivity (Sn)	2	mV/V (2)	灵敏度
Nominal input voltage	10	V	激励电压
Maximum input voltage	15	V	最大激励电压
Input impedance	400 ±20	Ω	输入阻抗
Output impedance	350 ±3	Ω	输出阻抗
No load output	< ±2	%Sn	空荷输出
Insulation resistance	> 5000	MΩ	绝缘电阻
Maximum deflection (at Ln)	0.2-0.4	mm	最大变形位移 (量程内)

ELECTRICAL CONNECTION 电气连接:



«SENSES»: 2 additional wires to maintain a constant voltage supply at the load cell when used with proper instrumentation. Use specially when long wires and wide temperature range.

SHIELD: Not connected to transducer body.

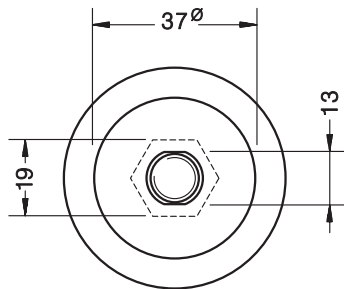
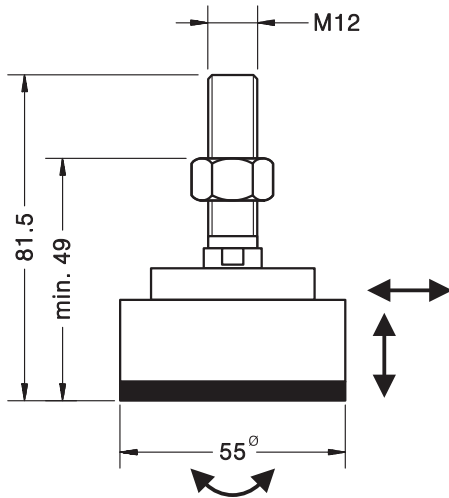
(感应): 传感器与仪表一起使用时, 增加两条感应线, 以保证传感器供桥电压的稳定; 电缆较长及温度范围较大时, 更应使用。

屏蔽: 不与传感器外壳连接。

(1) Total error: Non Linearity and Hysteresis / 综合误差: 非线性误差和滞后误差

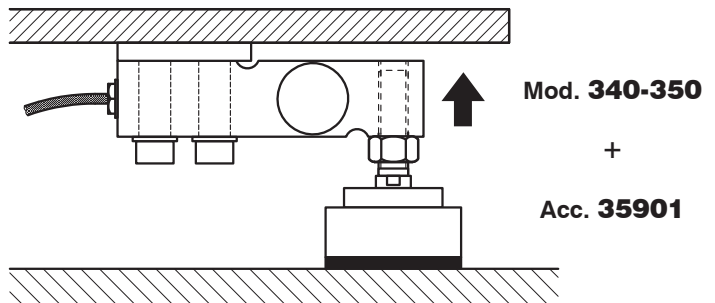
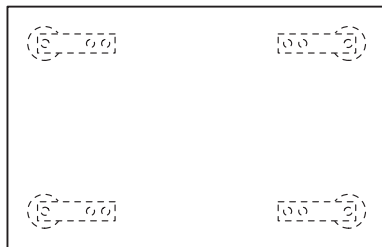
(2) Pre-corner adjustment optimized at ±0.05% by output current calibration / 通过角差调整, 可优化±0.05%的电流输出

LOAD FOOT ACCESSORY FOR MODELS 340-350
MOD.340-350称重支点安装附件



- **Materials: Stainless Steel and Rubber**
- **材质: 不锈钢和橡胶**

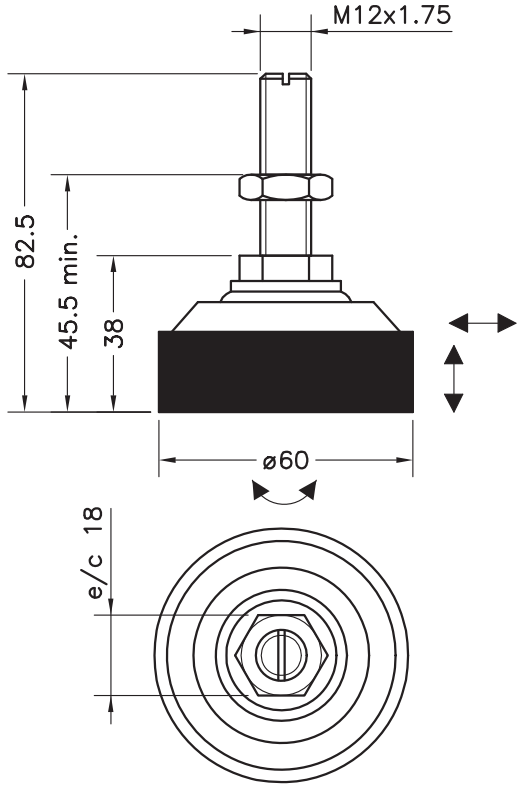
Acc. 35901 for Mod. 350 (300...2000 kg) / 适用于Mod.350(300...2000 kg)



Dimensions in mm. 单位: mm

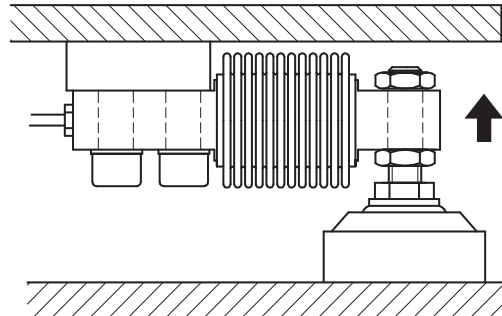
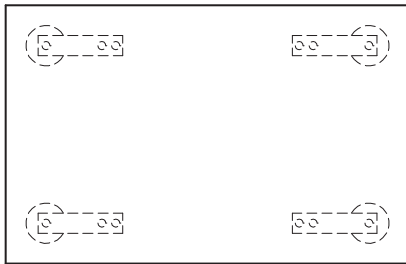
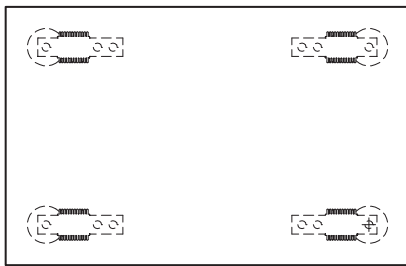
Transport weight - 重量: 0.33 kg

LOAD FOOT ACCESSORY FOR MODELS 340-350
MOD.340-350称重支点安装附件

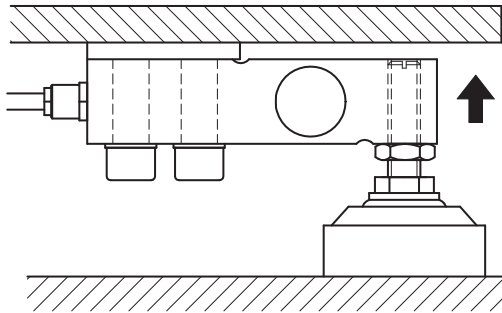


■ **Materials: Stainless Steel and Rubber**

■ **材质：不锈钢和橡胶**



Mod. 340
+
Acc. FT12i



Mod. 350
(300...2000 kg)
+
Acc. FT12i

Dimensions in mm. 单位: mm

Transport weight - 重量: 0.42 kg

MOUNTING-KIT LIFT-OFF PREVENTION FOR MOD. 350

适用于料斗的带限位的安装附件MOD.350

■ Material:

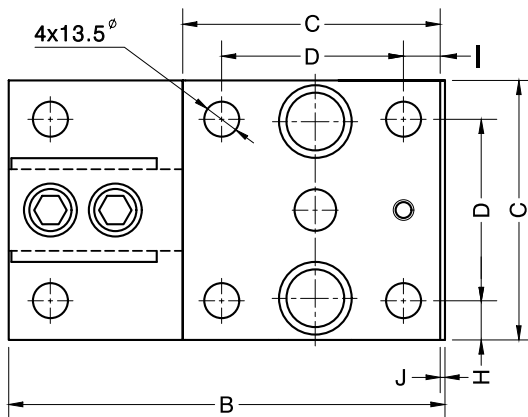
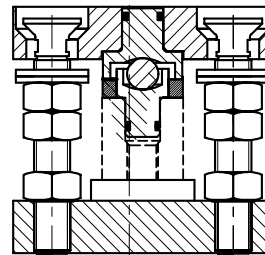
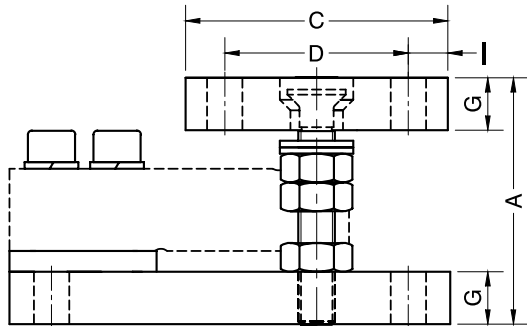
Alloy steel zinc-plated **Acc. 35902-35903**

Stainless Steel **Acc. 35902i-35903i**

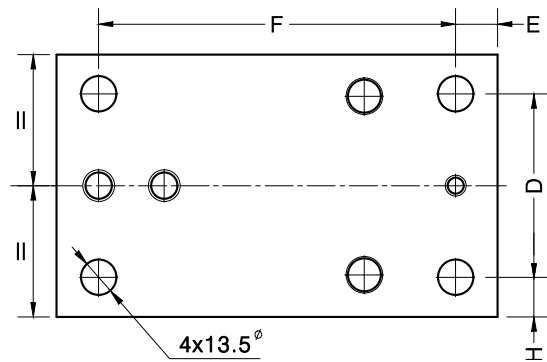
■ 材质:

合金钢镀锌 **Acc. 35902-35903**

不锈钢 **Acc. 35902i-35903i**



View from below / 仰视



Accessory 附件	Nominal load 量程	A	B	C	D	E	F	G	H	I	J	Transport weight 重量
35902	0.3...2 t	94	168	100	70	16	136	20	15	15	1	5 kg
35903	3...5 t	113	212	120	84	18	175	25	18	18	-	8.5 kg

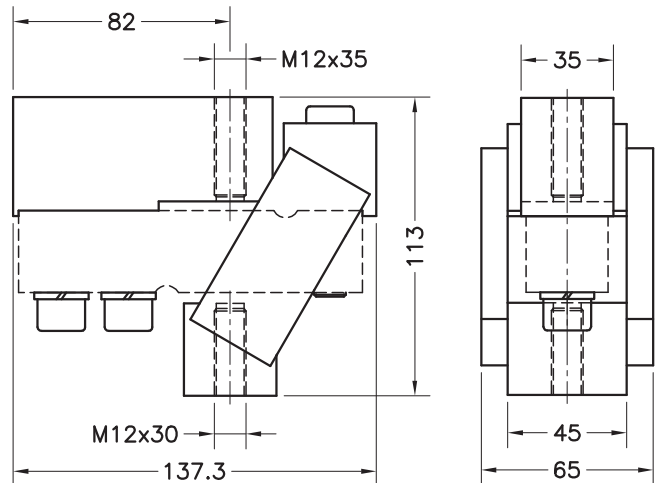
	Alloy Steel zinc-plated / 镀锌合金钢		Stainless Steel / 不锈钢	
	35902	35903	35902i	35903i
Maximum permissible offset transverse to load cell 称重传感器最大横向位移	±2.5 mm	±2 mm	±2.5 mm	±2 mm
Maximum lift-off force 最大倾翻力	69 kN	113.04 kN	69 kN	113.04 kN
Maximum force horizontal to load cell 最大横向力	7.93 kN	11.8 kN	5 kN	11.8 kN

Dimensions in mm. 单位: mm

TENSION ACCESSORIES FOR MODEL 350

MOD.350拉式安装附件

Acc. **35907** (0.3...2t)

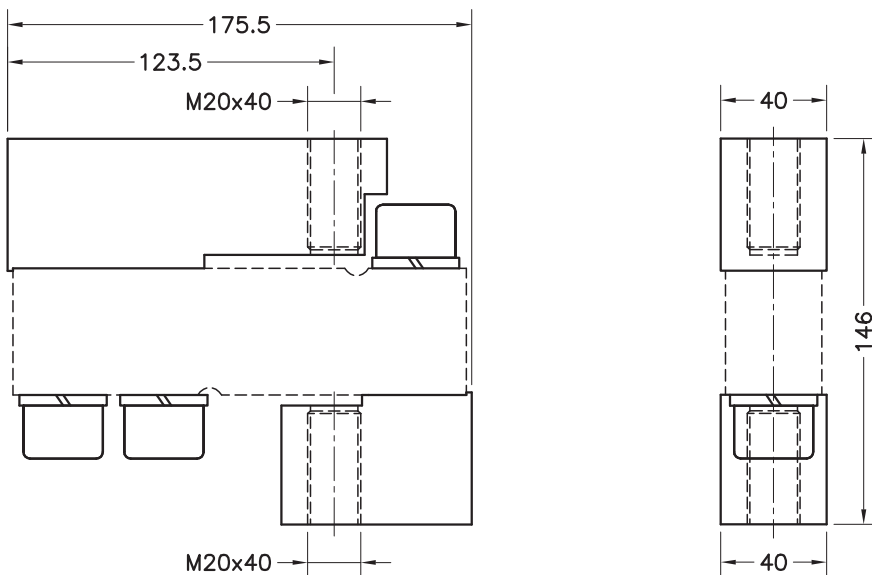


- Material: Alloy steel zinc-plated / 材质：合金钢镀锌
- Ultimate load: 4000 kg / 极限荷载：4000 kg

Dimensions in mm. 单位：mm

Transport weight - 重量：2.5 kg

Acc. **35908** (3...5t)



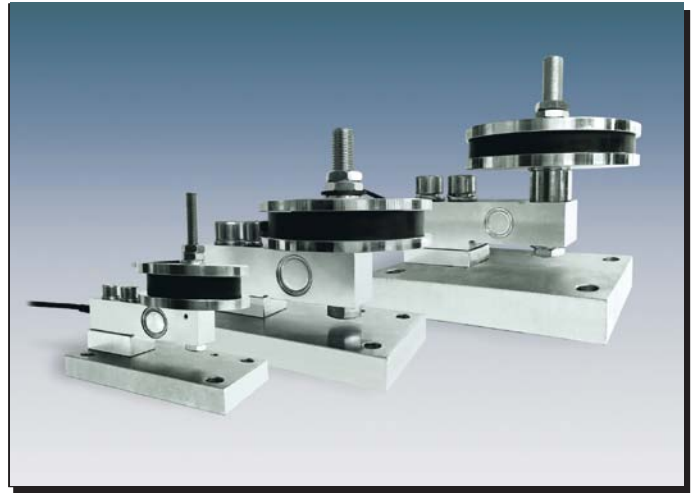
- Material: Alloy steel zinc-plated / 材质：合金钢镀锌
- Ultimate load: 10000 kg / 极限荷载：10000 kg

Dimensions in mm. 单位：mm

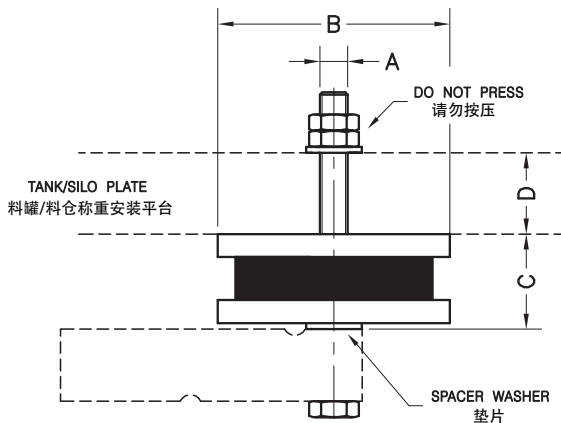
Transport weight - 重量：3.8 kg

TANK KIT SILENT-BLOCK LIFT-OFF PREVENTION FOR MOD. 350
MOD.350防冲击橡胶减震附件

- **Material: Alloy steel zinc-plated - Rubber**
Acc. 359xx
Stainless Steel - Rubber
Acc. 359xxi
- **Material: 合金钢镀锌 - 橡胶**
Acc. 359xx
不锈钢 - 橡胶
Acc. 359xxi

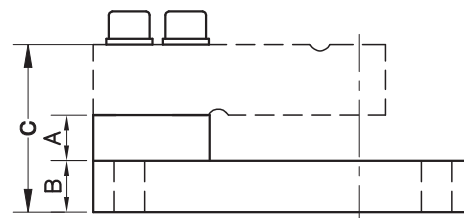
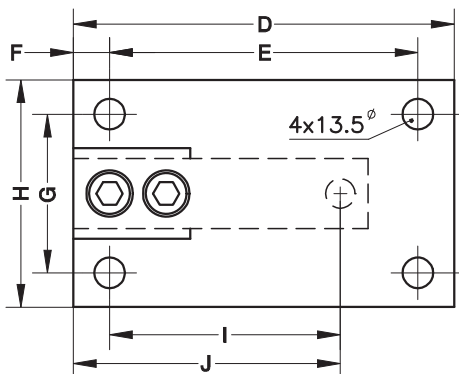


Acc. 35909-35910-35918: Silent-block with lift-off prevention / 防倾翻橡胶减震器



Accessory 附件	Nominal Load 量程	A	B \varnothing	C	D	Transport Weight 重量
35909	0.3...2 t	M12	100	41	0...35	2 kg
35910	3...5 t	M20	150	44	10...35	3.2 kg
35918	7.5...10 t	M24	200	84	0...50	7.8 kg

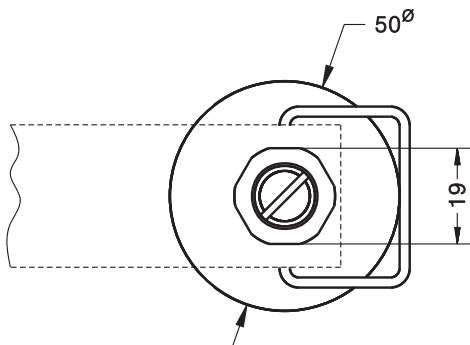
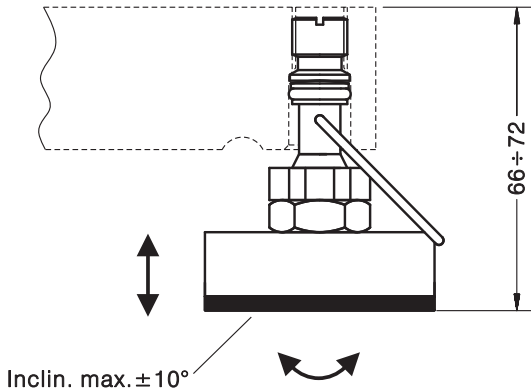
Acc. 35911-35912-35919: Base plate / 底板



Accessory 附件	Nominal Load 量程	A	B	C	D	E	F	G	H	I	J	K \varnothing	Transport Weight 重量
35911	0.3...2 t	20	20	71.5	168	136	16	70	100	101.6	117.6	13.5	3.2 kg
35912	3...5 t	20	25	93	212	175	19	84	120	133.3	152.3	13.5	5.8 kg
35919	7.5...10 t	20	40	120	285	235	25.5	127	180	171.7	197.2	21	17.5 kg

Dimensions in mm. 单位: mm

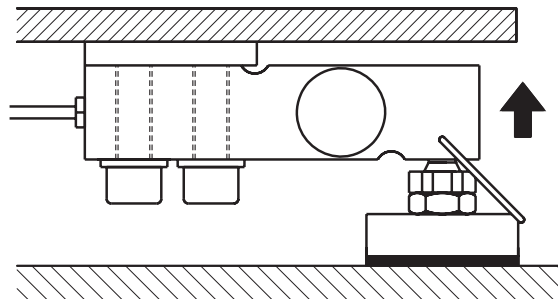
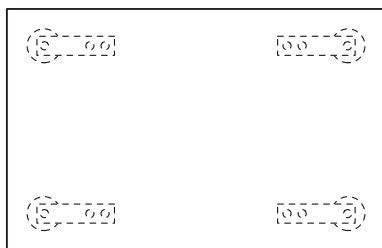
LOAD FOOT ACCESSORY FOR MODEL 350
MOD.350称重支点安装附件



- **Materials: Alloy steel zinc-plated and Rubber**
Acc. 35913
- **Stainless Steel and Rubber**
Acc. 35913i

- **材质: 合金钢镀锌和橡胶** Acc.35913
- **不锈钢和橡胶** Acc. 35913i

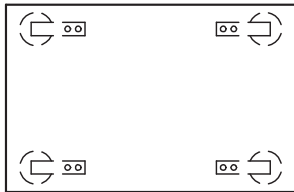
Acc. 35913 for Mod. 350 (300...2000 kg) / 适用于Mod.350(300...2000 kg)



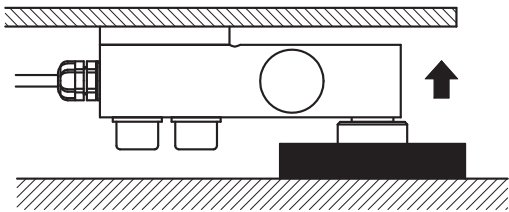
Dimensions in mm. 单位: mm

Transport weight - 重量: 0.29 kg

LOAD FOOT ACCESSORY FOR MODEL 350
MOD.350称重支点安装附件

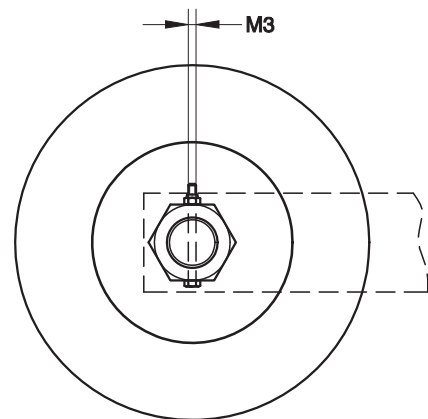
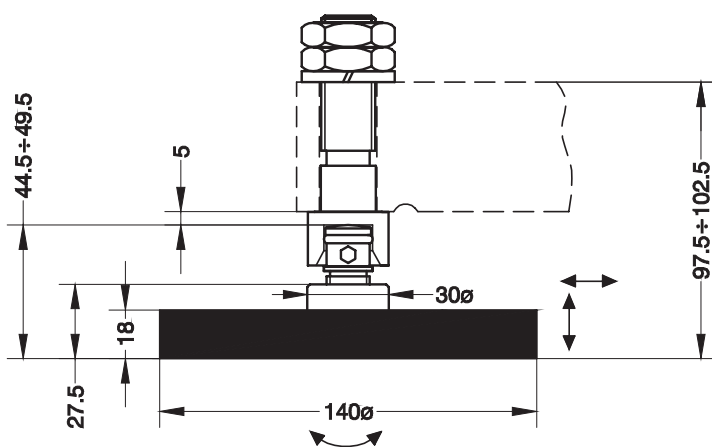


Mod. 350
+
Acc. 35917i



- **Materials: Stainless Steel and Rubber**
- **材质：不锈钢和橡胶**

Acc. 35917i for Model 350 (3 - 5 t) / 适用于MOD.350 (3-5 t)



Dimensions in mm. 单位: mm

Transport weight - 重量: 1.3 kg