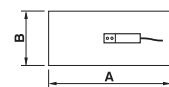


- Double bending beam load cell
- Versions:
 - **190a** (50...400kg): Nickel-plated Alloy Steel
Silicone sealing, IP 66 (EN 60529),
4000 divisions OIML R60 class C
 - **190i** (15...400kg): Fully Stainless Steel construction
Hermetically sealed, fully welded, IP 68 (EN 60529)
and IP 69K (ISO 20653),
3000 div. OIML R60 class C
- High accuracy with off-center loads
- Available in **ATEX** version (optional)
Zone 0-1-2 (gas) and 20-21-22 (dust)
- Applications: direct platform up to 600 x 600 mm
or 800 x 800 mm; filling scales

- 双弯曲梁式传感器
- 材质:
 - **190a** (50...400kg): 镀镍合金钢,
硅胶密封, 防护等级IP66(EN 60529),
4000分度 OIML R60C级
 - **190i** (15...400kg): 全不锈钢结构, 密封,
全焊接, 防护等级IP68 (EN 60529)/IP69K(ISO
20653), 3000分度 OIML R60C级
- 在偏心载荷情况下可保持高精度
- 防爆可选 **ATEX**
- 应用: 秤台最大尺寸600×600mm
或800×800mm; 灌装秤

Model 型号	Nominal capacity 量程 Ln	Accuracy class 精确度等级 n. OIML	Minimum division 最小分度值 vmin	Service load 最大称量 150 % Ln	Platform 平台尺寸 A x B mm	Accuracy 准确度等级 1/3 Ln
190 15 kg	15 kg	a / i - / 3000	1.5 g	22.5 kg	600 x 600	3000 v
190 20 kg	20 kg	- / 3000	2 g	30 kg	600 x 600	3000 v
190 30 kg	30 kg	- / 3000	3 g	45 kg	600 x 600	3000 v
190 50 kg	50 kg	4000 / 3000	5 g	75 kg	600 x 600	3000 v
190 75 kg	75 kg	4000 / 3000	7.5 g	112.5 kg	600 x 600	3000 v
190 120 kg	120 kg	4000 / 3000	12 g	180 kg	600 x 600	3000 v
190 200 kg	200 kg	4000 / 3000	20 g	300 kg	600 x 600	3000 v
190 350 kg	350 kg	4000 / 3000	35 g	525 kg	600 x 600	3000 v
190 250 kg	250 kg	4000 / 3000	25 g	375 kg	800 x 800	3000 v
190 400 kg	400 kg	4000 / 3000	40 g	600 kg	800 x 800	3000 v

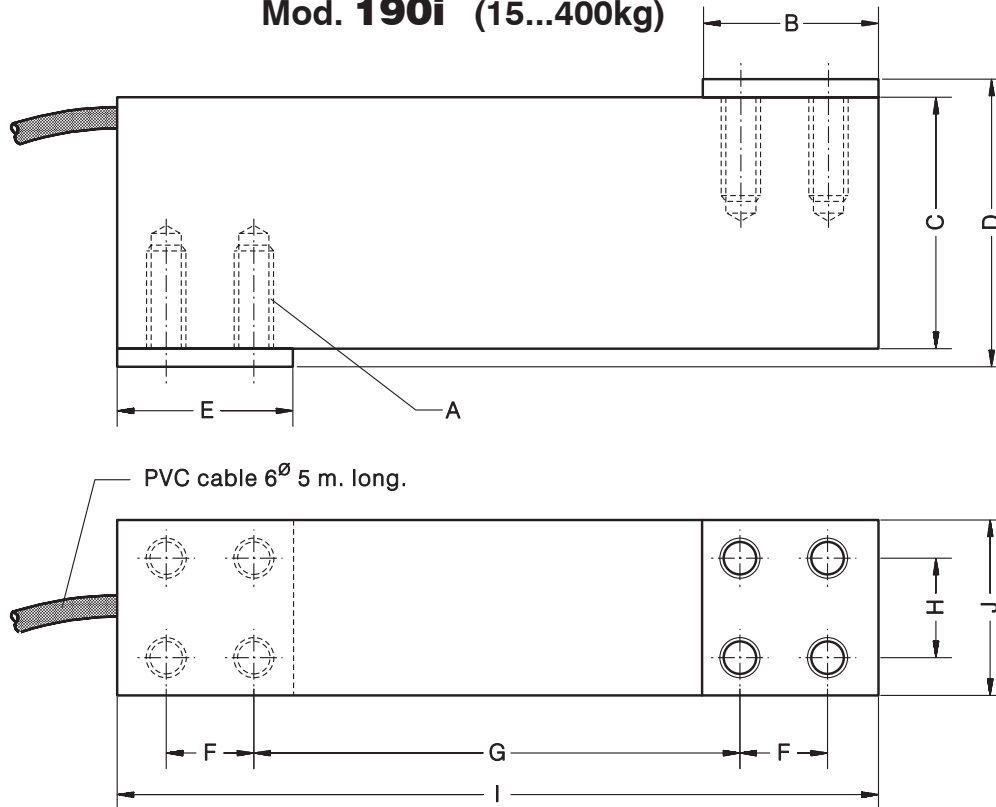




MODEL 190

Mod. 190a (50...400kg)

Mod. 190i (15...400kg)



Nominal load (kg) 量程 (kg)	A	B	C	D	E	F	G	H	I	J	Transport weight 重量
15-20-30-50-75-120-200-350	8 x M8 x 1.25 x 14	35	50	56	35	17	96	20	150	35	1.8 kg
250-400	8 x M10 x 1.5 x 20	50	60	66	50	30	100	40	180	60	4.3 kg

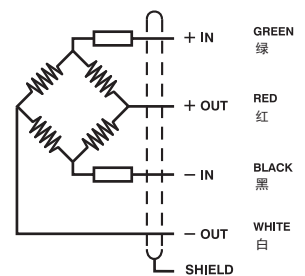
Dimensions in mm. 单位: mm

SPECIFICATIONS			技术条件
Nominal capacities (Ln)	15-20-30-50 75-120-200 350-250-400	kg	量程 (Ln)
Accuracy class a / i	4000/3000	n. OIML	准确度等级 a / i
Minimum dead load	0	%Ln	最小静载荷
Service load	150	%Ln (1)	最大称量
Safe load limit	200	%Ln (1)	安全载荷极限
Total error	< ±0.017	%Sn (2)	综合误差
Repeatability error	< ±0.01	%Sn	重复性误差
Temperature effect: on zero	< ±0.01	%Sn/5°C	温度影响: 零点
on sensitivity	< ±0.006	%Sn/5°C	灵敏度
Creep error (30 minutes)	< ±0.016	%Sn	蠕变 (30分钟)
Temperature compensation	-10...+40	°C	温度补偿
Temperature limits	-20...+70	°C	温度极限
Nominal sensitivity (Sn)	2 ±10%	mV/V (3)	灵敏度
Nominal input voltage	10	V	激励电压
Maximum input voltage	15	V	最大激励电压
Input impedance	400 ±20	Ω	输入阻抗
Output impedance	350 ±3	Ω	输出阻抗
No load output	< ±2	%Sn	空荷输出
Insulation resistance	> 5000	MΩ	绝缘电阻
Maximum deflection (at Ln)	0.3-0.5	mm	最大变形位移 (量程内)

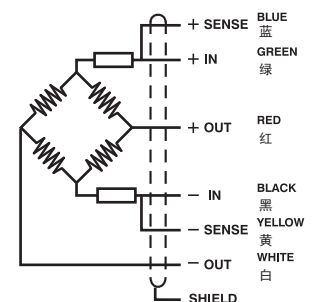
ELECTRICAL CONNECTION

电气连接:

MOD. 190a



MOD. 190i



(1) Only central loads on the load cell. Not for off-center loads
置传感器于受力中心, 勿使偏载

(2) Total error: Non Linearity and Hysteresis /综合误差: 非线性和滞后

(3) 2 ±0.1% mV/V 可选