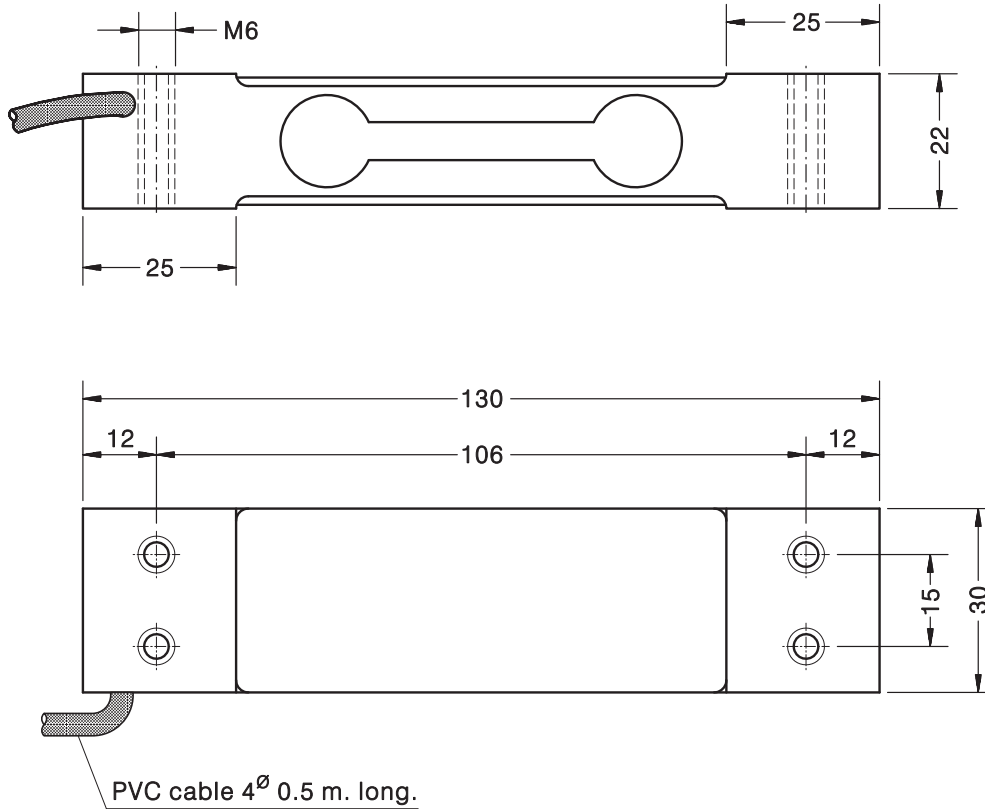


- Double bending beam load cell
  - Measuring element from aluminium
  - 3000 Divisions OIML R60 class C
  - Protected IP 66 (EN 60529)
  - Single point load cell. High accuracy with Off-center loads
  - Applications:
    - Direct platform up to 350 x 350 mm
    - Filling scales
- 双弯曲梁式称重传感器
  - 铝合金测量元件
  - 3000分度, OIML R60 C级
  - 防护等级IP66 (EN 60529)
  - 单点测量, 在偏心载荷下可保持高精度
  - 应用:
    - 最大秤台尺寸350×350mm
    - 灌装秤

Model 型号	Nominal capacity 量程 Ln	Accuracy class 精确度等级 n. OIML	Minimum division 最小分度值 vmin	Service load 最大称量 150 % Ln	Platform 平台尺寸 A x B mm	Accuracy 准确度等级 1/3 Ln
102 5 kg	5 kg	3000	0.7 g	7.5 kg	350 x 350	3000 v
102 8 kg	8 kg	3000	1 g	12 kg	350 x 350	3000 v
102 10 kg	10 kg	3000	1.3 g	15 kg	350 x 350	3000 v
102 15 kg	15 kg	3000	1.9 g	22.5 kg	350 x 350	3000 v
102 20 kg	20 kg	3000	2.5 g	30 kg	350 x 350	3000 v
102 30 kg	30 kg	3000	3.8 g	45 kg	350 x 350	3000 v
102 50 kg	50 kg	3000	6.3 g	75 kg	350 x 350	3000 v

# MODEL 102

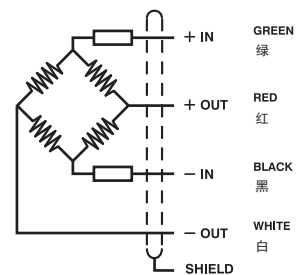


Dimensiones in mm. 单位: mm

Transport weight - 重量: 0.2 kg

SPECIFICATIONS			技术条件
Nominal capacities (Ln)	5-8-10-15 20-30-50	kg	量程 (Ln)
Accuracy class	3000	n. OIML	准确度等级
Minimum dead load	0	%Ln	最小静载荷
Service load	150	%Ln (1)	最大称量
Safe load limit	200	%Ln (1)	安全载荷极限
Total error	< ±0.017	%Sn (2)	综合误差
Repeatability error	< ±0.01	%Sn	重复性误差
Temperature effect:			温度影响:
on zero	< ±0.01	%Sn/5°C	零点
on sensitivity	< ±0.006	%Sn/5°C	灵敏度
Creep error (30 minutes)	< ±0.016	%Sn	蠕变 (30分钟)
Temperature compensation	-10...+40	°C	温度补偿
Temperature limits	-20...+70	°C	温度极限
Nominal sensitivity (Sn)	2 ±10%	mV/V	灵敏度
Nominal input voltage	10	V	激励电压
Maximum input voltage	15	V	最大激励电压
Input impedance	400 ±20	Ω	输入阻抗
Output impedance	350 ±3	Ω	输出阻抗
No load output	< ±2	%Sn	空荷输出
Insulation resistance	> 5000	MΩ	绝缘电阻
Maximum deflection (at Ln)	0.3-0.5	mm	最大变形位移 (量程内)

## ELECTRICAL CONNECTION 电气连接:



(1) Only central loads on the load cell. Not for off-center loads  
置传感器于受力中心, 勿使偏载

(2) Total error: Non Linearity and Hysteresis / 综合误差: 非线性和滞后