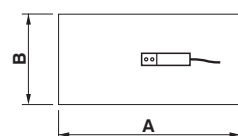


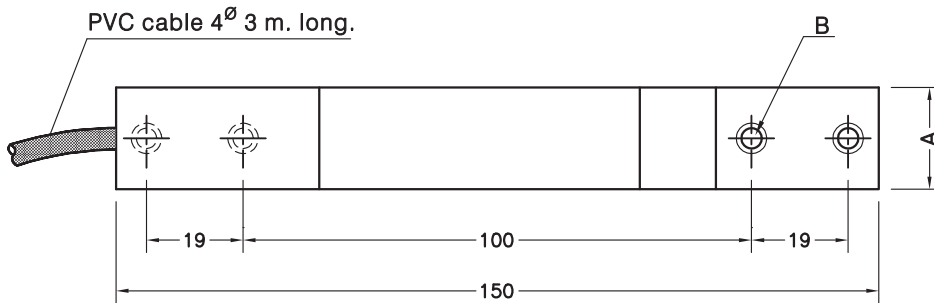
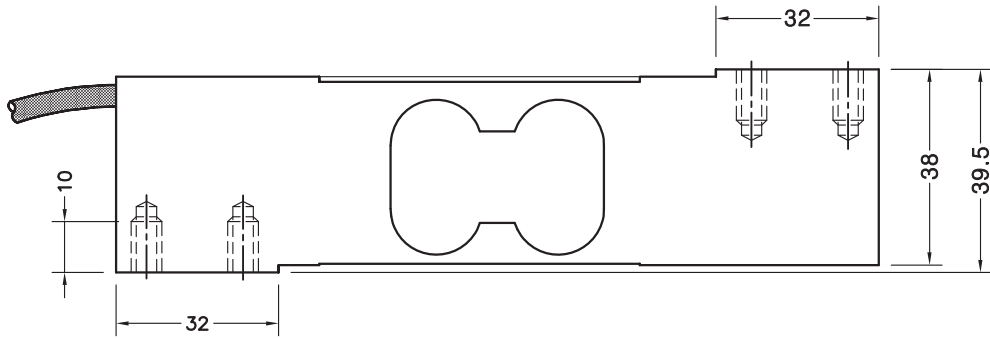
- Double bending beam load cell
- Nickel-plated Alloy Steel construction
- 3000 divisions OIML R60 class C
- Protected IP 66 (EN 60529)
- Single point load cell. High accuracy with off-center loads
- Protected against corrosion by nickel-plated treatment
- Applications:
 - Direct platform up to 500 x 500 mm
 - Filling scales

- 双弯曲梁式称重传感器
- 镀镍合金钢测量元件
- 3000分度, OIML R60 C级
- 防护等级 IP66 (EN 60529)
- 单点测量称重传感器, 不偏载时可保持高精度
- 防腐, 镀镍处理
- 应用:
 - 秤台最大尺寸500×500mm
 - 灌装秤

Model 型号	Nominal capacity 量程 Ln	Accuracy class 精确度等级 n. OIML	Minimum division 最小分度值 vmin	Service load 最大称量 150 % Ln	Platform 平台尺寸 A x B mm	Accuracy 准确度等级 1/3 Ln
160 15 kg	15 kg	3000	1.5 g	22.5 kg	500 x 500	3000 v
160 20 kg	20 kg	3000	2 g	30 kg	500 x 500	3000 v
160 30 kg	30 kg	3000	3 g	45 kg	500 x 500	3000 v
160 50 kg	50 kg	3000	5 g	75 kg	500 x 500	3000 v
160 75 kg	75 kg	3000	7.5 g	112.5 kg	500 x 500	3000 v
160 100 kg	100 kg	3000	10 g	150 kg	500 x 500	3000 v
160 150 kg	150 kg	3000	15 g	225 kg	500 x 500	3000 v



MODEL 160

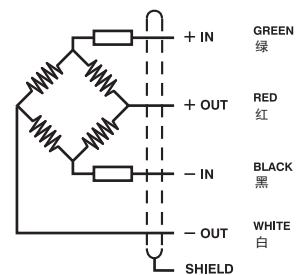


Nominal load (kg) 量程 (kg)	Transport weight 重量	A	B
15-20-30	0.7 kg	20	M6
50-75-100-150	0.85 kg	25	M8

Dimensions in mm. 单位: mm

SPECIFICATIONS			技术条件
Nominal capacities (Ln)	15-20-30-50 75-100-150	kg	量程(Ln)
Accuracy class	3000	n. OIML	准确度等级
Minimum dead load	0	%Ln	最小静载荷
Service load	150	%Ln (1)	最大称量
Safe load limit	200	%Ln (1)	安全载荷极限
Total error	< ±0.017	%Sn (2)	综合误差
Repeatability error	< ±0.01	%Sn	重复性误差
Temperature effect:			温度影响:
on zero	< ±0.01	%Sn/5°C	零点
on sensitivity	< ±0.006	%Sn/5°C	灵敏度
Creep error (30 minutes)	< ±0.016	%Sn	蠕变 (30分钟)
Temperature compensation	-10...+40	°C	温度补偿
Temperature limits	-20...+70	°C	温度极限
Nominal sensitivity (Sn)	2 ±10%	mV/V (3)	灵敏度
Nominal input voltage	10	V	激励电压
Maximum input voltage	15	V	最大激励电压
Input impedance	400 ±20	Ω	输入阻抗
Output impedance	350 ±3	Ω	输出阻抗
No load output	< ±2	%Sn	空荷输出
Insulation resistance	> 5000	MΩ	绝缘电阻
Maximum deflection (at Ln)	0.3-0.5	mm	最大变形位移 (量程内)

ELECTRICAL CONNECTION 电气连接:



(1) Only central loads on the load cell. Not for off-center loads
置传感器于受力中心, 勿使偏载

(2) Total error: Non Linearity and Hysteresis / 综合误差: 非线性和滞后

(3) 2 ±0.1% mV/V 可选